

# STR-A27/D209/D259

## SERVICE MANUAL

STR-A27, STR-D209 and STR-259 are the tuner and amplifier section in LBT-A27CDM, LBT-D209CD and LBT-D259CD respectively.

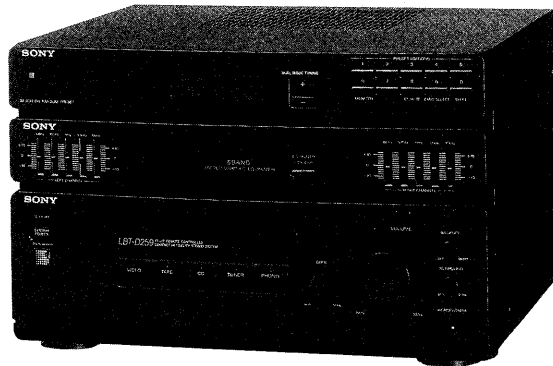


PHOTO: STR - D259

Canadian Model  
STR-D259  
AEP Model  
UK Model  
STR-D209/D259  
E Model  
Australian Model  
STR-A27

### SPECIFICATIONS

#### Stereo FM-AM receiver

##### Tuner System

FM stereo  
FM/AM superheterodyne tuner

##### FM tuner section

Tuning range 87.5 to 108 MHz (EXCEPT EE)  
65.0 to 74.0 MHz (EE)

Antenna 75 ohms unbalanced

Intermediate frequency 10.7 MHz

##### AM tuner section

Tuning range MW:530 to 1710 kHz (Canadian model)  
522 to 1611 kHz (Italian model)  
531 to 1602 kHz (9 kHz step)  
531 to 1710 kHz (10 kHz step) } (E model)  
531 to 1602 kHz (Other models)

LW:153 to 279 kHz  
SW:5.95 to 17.90 kHz (Mideasten model)

Antenna AM loop antenna  
External antenna terminal

Intermediate frequency 450 kHz

##### Amplifier

DIN power output 30 W + 30 W (6 ohms, at 1 kHz)

Continuous RMS power output 35 W + 35 W (6 ohms, at 1 kHz, 5% THD)

Music power output 60 W + 60 W (6 ohms)

| Input    | Jack type | Sensitivity | Impedance |
|----------|-----------|-------------|-----------|
| VIDEO IN | Phono     | 300 mV      | 47 kohms  |
| PHONO IN | Phono     | 3 mV        | 47 kohms  |

| Output           | Jack type   | Impedance                            |
|------------------|-------------|--------------------------------------|
| SURROUND SPEAKER | Phono       | Accepts speakers of 16 ohms          |
| HEADPHONES       | Stereophone | Accepts headphones of 8 ohms or more |

Frequency response VIDEO: 15 Hz to 50 kHz  $^{+0}_{-3}$  dB

##### General

Power requirements 220 - 230 V AC, 50/60 Hz (AEP, IT, EE, G)  
120 V AC, 60 Hz (CND)  
240 V-AC, 50 Hz (UK)  
110 - 120 V/220 - 240 V-AC,  
50 Hz/60 Hz (E, AUS)

Power consumption 100 W (AEP, AE2, IT, EE, G, UK)  
115 W (CND)  
170 W (E, AUS, AU2)

Mass Approx. 5.9 kg

Dimensions Approx. 355 × 225 × 330 mm  
(w/h/d, including projections)

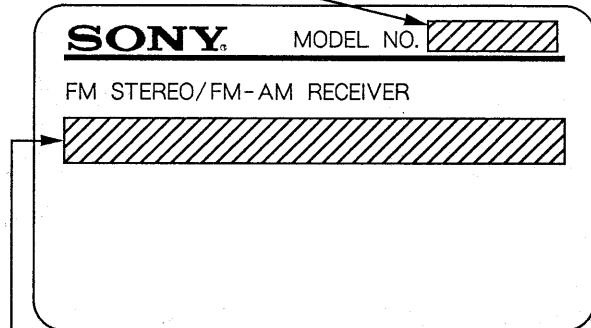
STEREO FM-AM RECEIVER  
**SONY**®

## TABLE OF CONTENTS

### — MODEL IDENTIFICATION —

(Specification Label)

STR-A27, STR-D209, STR-D259



- CND model : AC : 120V 60Hz 115W
- AEP, IT, EE, G model : AC : 220V-230V~50/60Hz  
100W
- UK model : AC : 240V~50Hz 100W
- E, AUS model : AC : 110-120V/220-  
240V~50/60Hz 170W

**Note :** CND : Canadian model  
 G : German  
 IT : Italian model  
 EE : East European model  
 AUS, AU2 : Australian model

#### ● CAUTION

Be sure to use insulation sheet (A4-959-364-01) when replacing power transformer because it is safely related part.

#### SAFETY-RELATED COMPONENT WARNING!!

COMPONENTS IDENTIFIED BY MARK OR DOTTED LINE WITH MARK ON THE SCHEMATIC DIAGRAMS AND IN THE PARTS LIST ARE CRITICAL TO SAFE OPERATION. REPLACE THESE COMPONENTS WITH SONY PARTS WHOSE PART NUMBERS APPEAR AS SHOWN IN THIS MANUAL OR IN SUPPLEMENTS PUBLISHED BY SONY.

| <u>Section</u>                                | <u>Title</u> | <u>Page</u> |
|---|--------------|-------------|
| <b>1. GENERAL</b>                             | .....        | 3           |
| <b>2. DISASSEMBLY</b>                         |              |             |
| 2-1. Front Panel                              | .....        | 4           |
| 2-2. Panel Board                              | .....        | 4           |
| 2-3. Amplifier Board                          | .....        | 5           |
| 2-4. Main/Tuner Board                         | .....        | 5           |
| <b>3. ADJUSTMENT</b>                          | .....        | 6           |
| <b>4. DIAGRAMS</b>                            |              |             |
| 4-1. Schematic Diagram — Tuner Section —      | .....        | 7           |
| 4-2. Printed Wiring Board — Main Section —    | .....        | 11          |
| 4-3. Schematic Diagram — Main Section —       | .....        | 15          |
| 4-4. Schematic Diagram — Display Section —    | .....        | 19          |
| 4-5. Printed Wiring Board — Display Section — | .....        | 23          |
| 4-6. Circuit Boards Location                  | .....        | 26          |
| 4-7. Semiconductor Lead Layouts               | .....        | 26          |
| <b>5. EXPLODED VIEWS</b>                      |              |             |
| 5-1. Front Section                            | .....        | 27          |
| 5-2. Back Panel Section                       | .....        | 29          |
| <b>6. ELECTRICAL PARTS LIST</b>               | .....        | 30          |

#### ATTENTION AU COMPOSANT AYANT RAPPORT À LA SÉCURITÉ!

LES COMPOSANTS IDENTIFIÉS PAR UNE MARQUE SUR LES DIAGRAMMES SCHÉMATIQUES ET LA LISTE DES PIÈCES SONT CRITIQUES POUR LA SÉCURITÉ DE FONCTIONNEMENT. NE REMPLACER CES COMPOSANTS QUE PAR DES PIÈCES SONY DONT LES NUMÉROS SONT DONNÉS DANS CE MANUEL OU DANS LES SUPPLÉMENTS PUBLIÉS PAR SONY.

## SECTION 1 GENERAL

This section is extracted from instruction manual.

### Location of Controls

Refer to the pages indicated in parentheses for details.

#### Tuner

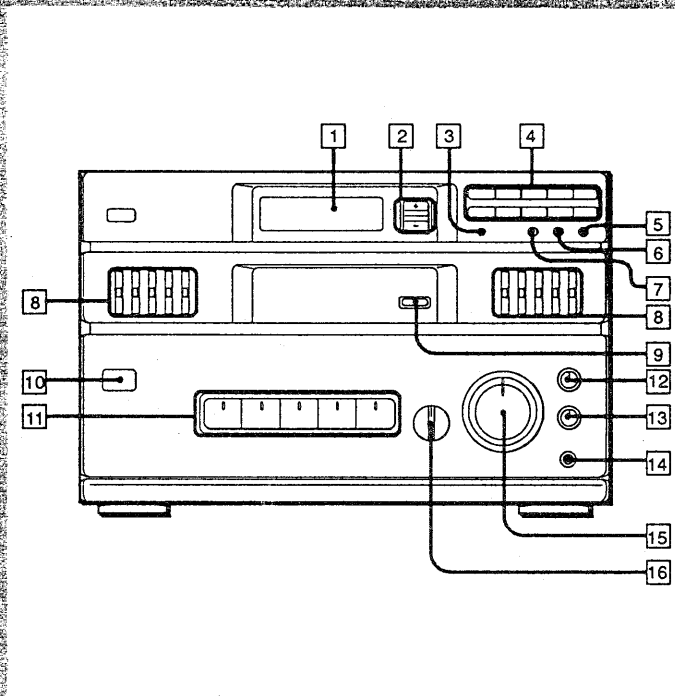
- 1 Display window
- 2 DUAL MODE TUNING + / - buttons (20, 22)
- 3 MEMORY button (22)
- 4 Numeric buttons (22)
- 5 SHIFT button (22)
- 6 BAND SELECT button (20)
- 7 ST/MUTE button (20,22)

#### Graphic Equalizer

- 8 5 BAND GRAPHIC EQUALIZER controls (16)
- 9 EQUALIZER switch (16)

#### Amplifier

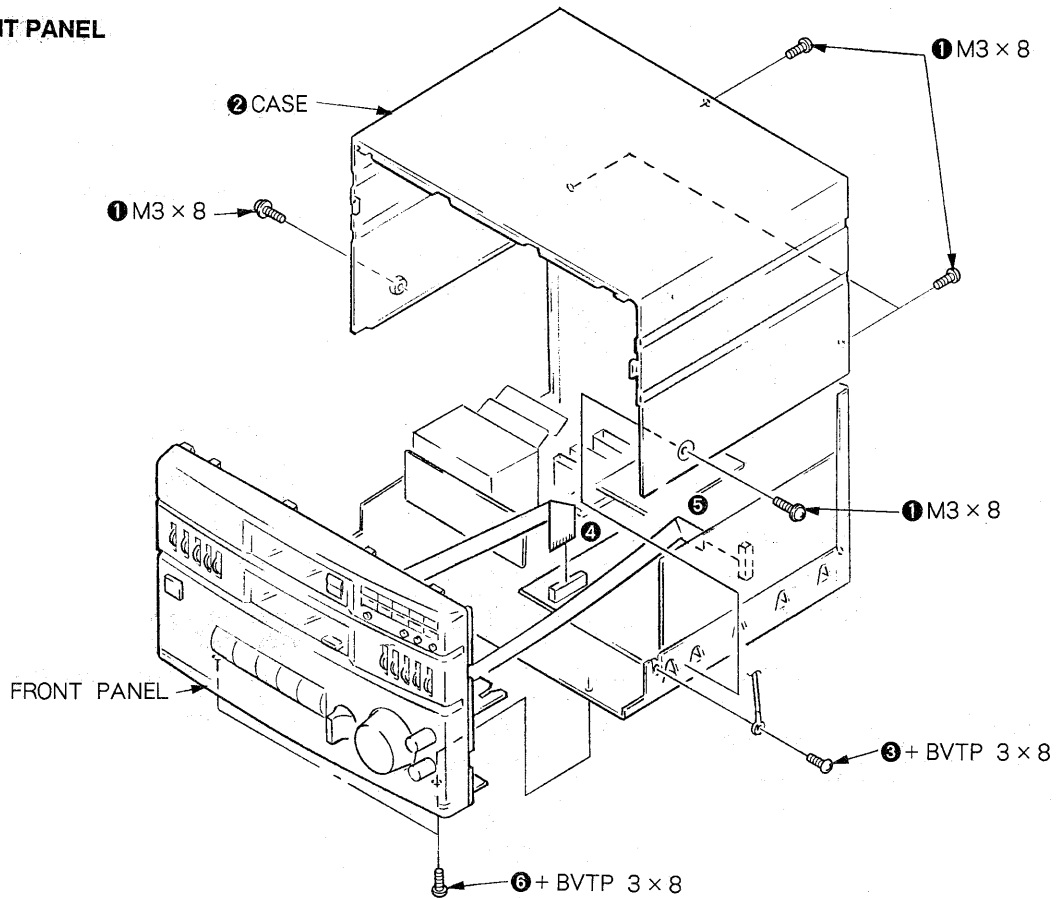
- 10 SYSTEM POWER button (14)
- 11 Function selectors and indicators (VIDEO/TAPE/CD/TUNER/PHONO)
- 12 BALANCE control (16)
- 13 SURROUND control (16)
- 14 HEADPHONES jack
- 15 VOLUME control and indicator (16)
- 16 DBFB (dynamic bass feedback) control (16)



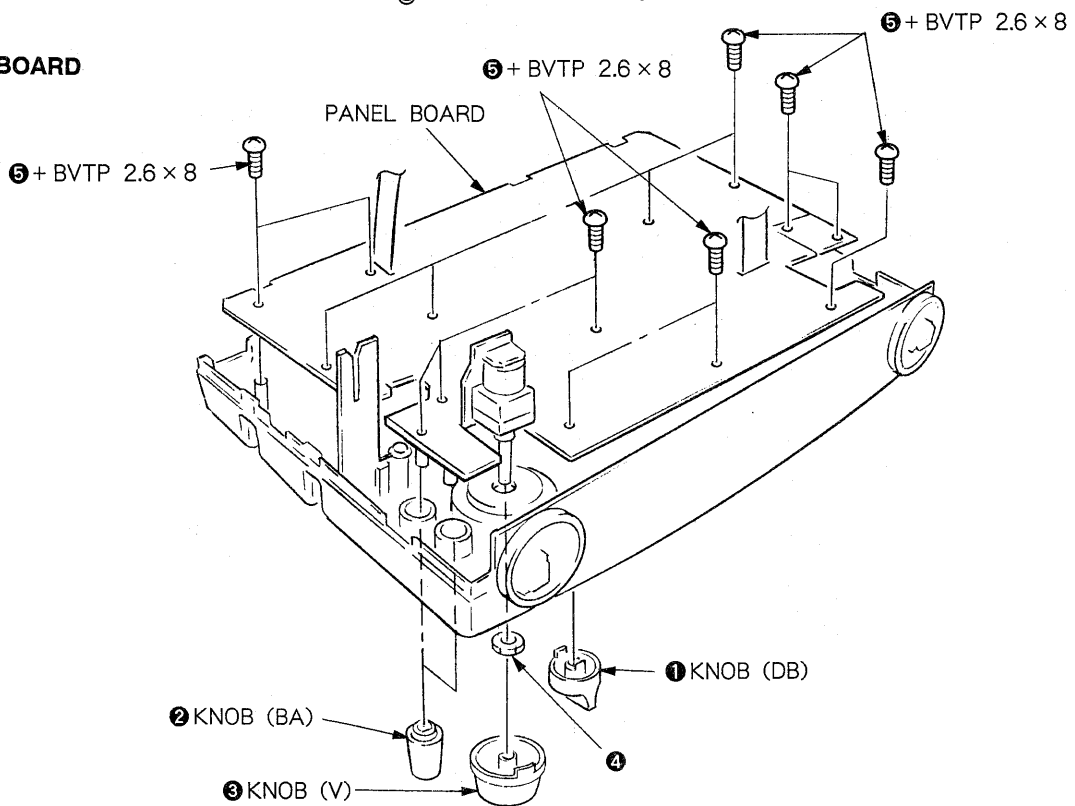
## SECTION 2 DISASSEMBLY

NOTE: Follow the disassembly procedure in the numerical order given.

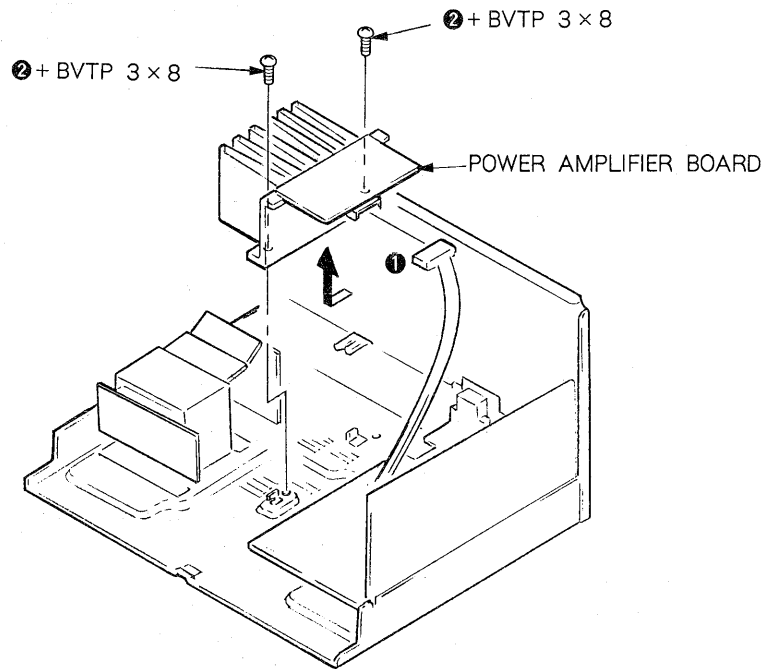
### 2-1. FRONT PANEL



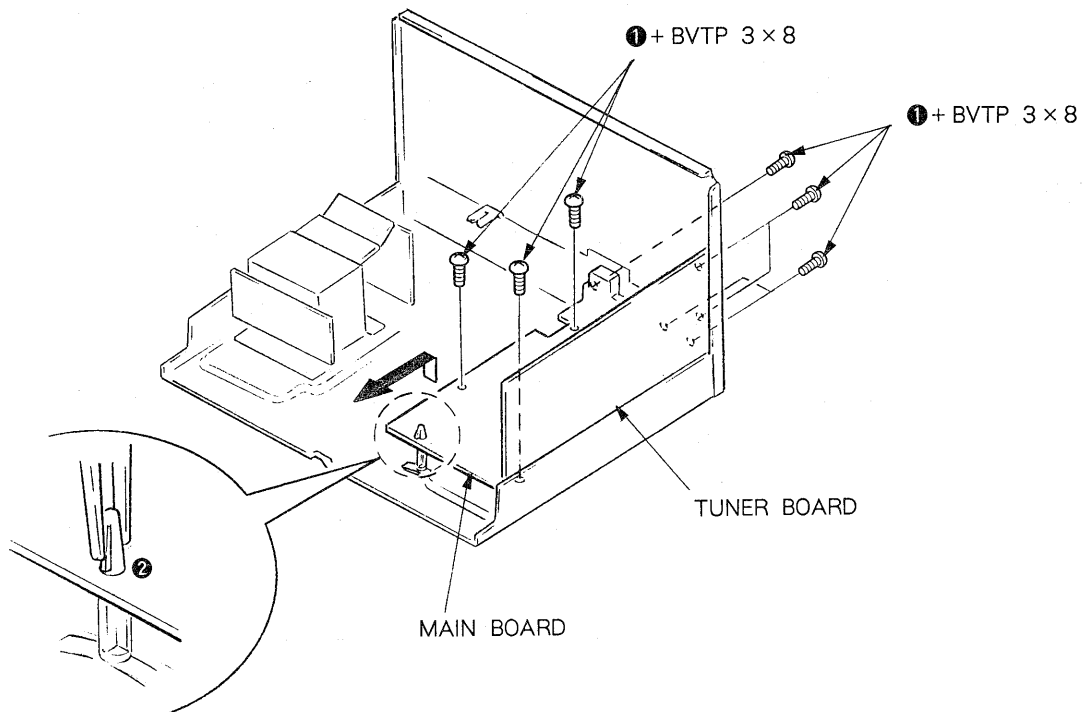
### 2-2. PANEL BOARD



### 2-3. POWER AMPLIFIER BOARD



### 2-4. MAIN /TUNER BOARD



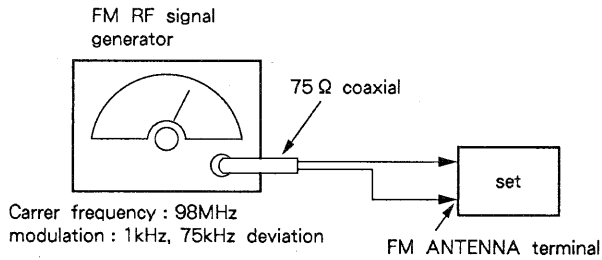
## SECTION 3 ADJUSTMENTS

**Note:** As a front-end (FE301) is difficult to repair if faulty, replace it with new one.

### TUNER SECTION

#### FM SECTION ADJUSTMENTS

Setting :



#### • TUNER OUT CHECK POINT

Speaker out receive 98MHz 60dB  $\mu$  (1mV) and set the SPEAKER out to 10dBs by VOLUME.

Speaker load : 6  $\Omega$  both CH

#### FM NULL Adjustment

Procedure :

1. Supply a 60dB  $\mu$  (1mV) 98MHz signal from the ANTENNA terminal.
2. Tune the set to 98MHz.
3. Adjust T301 for 0V reading on the measurement point.

#### FM Tuned Indication Lighting Level Adjustment

Band : FM

ST/MUTE SW : OFF

Procedure :

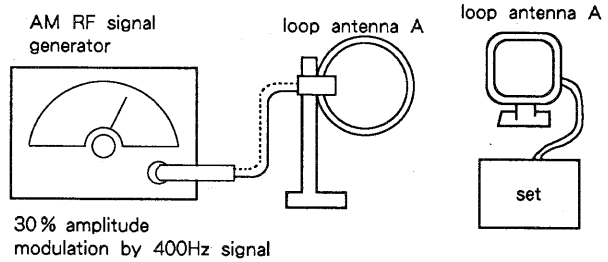
1. Supply a  $24 \pm 1 \mu V$  ( $20 \pm 4dB\mu$  (EE)) ( $25 \pm 4dB\mu$  (EXCEPT EE)) 98MHz signal from the ANTENNA terminal.
2. Tune the set to 98MHz.
3. Adjust RV302 so that the FL601 **TUNED** light up.

Adjustment Location: main board

- Repeat the procedures in each adjustment several times, and the frequency coverage and tracking adjustments should be finally done by trimmer capacitors.

#### AM SECTION ADJUSTMENT

Setting :



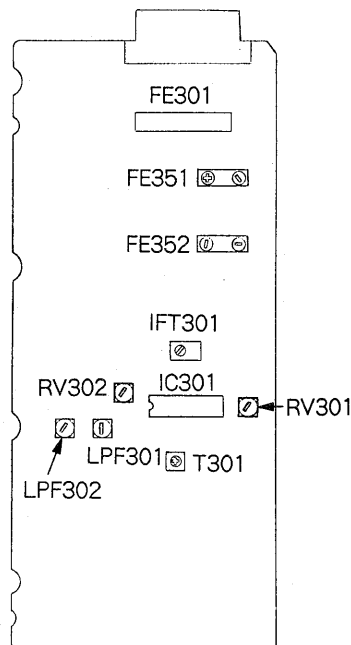
#### AM Tuned Indication Lighting Level Adjustment

Band : AM

Procedure :

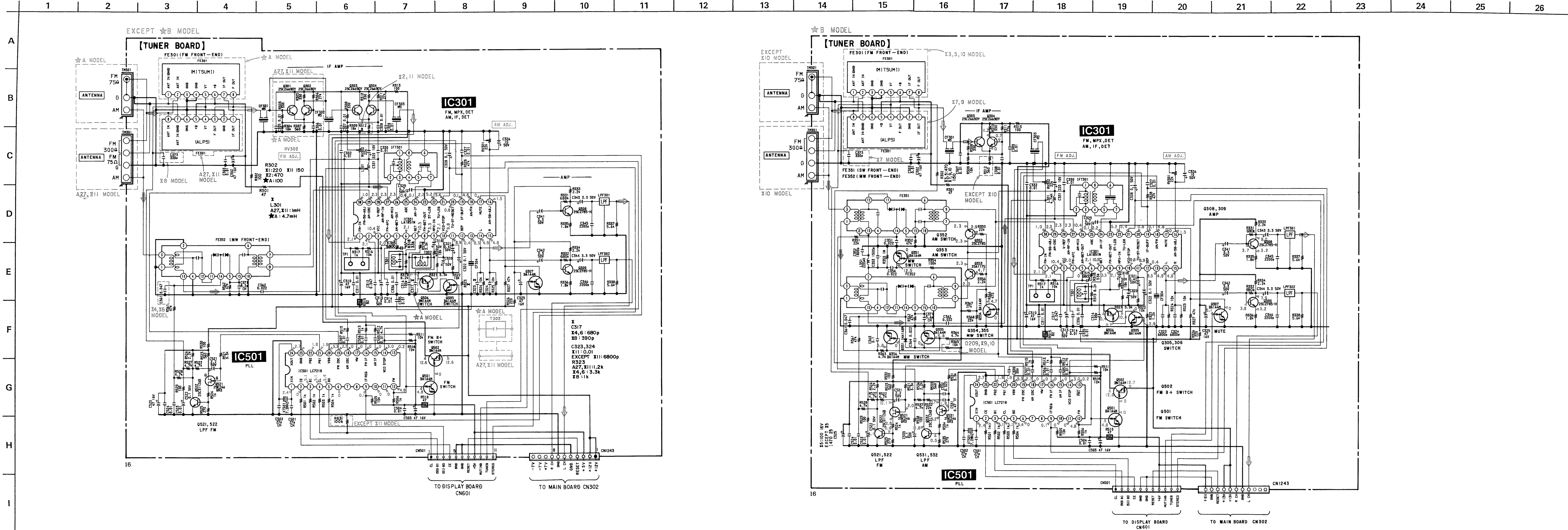
1. Set loop antenna input level to 94dB $\mu$ /m, 1050 kHz and no signal tuned light should not on.
2. Tune the set to 1050kHz
3. Adjust RV301 so that the FL601 **TUNED** light up.

Adjustment Location: tuner board



SECTION 4  
DIAGRAMS

4-1. SCHEMATIC DIAGRAM—TUNER SECTION—



Note on Schematic Diagram :

- All capacitors are in  $\mu\text{F}$  unless otherwise noted. pF:  $\mu\text{pF}$  50WV or less are not indicated except for electrolytics and tantalums.
- All resistors are in  $\Omega$  and  $\text{W}$  or less unless otherwise specified.
- $\square$ : nonflammable resistor.
- $\square$ : fusible resistor.

Note: The components identified by mark  $\Delta$  or dotted line with mark  $\Delta$  are critical for safety. Replace only with part number specified.

Note: Les composants identifiés par une marque  $\Delta$  sont critiques pour la sécurité. Ne les remplacer que par une pièce portant le numéro spécifié.

- : adjustment for repair.
- : B + Line.
- : B - Line.
- no mark : FM
- : Voltages are taken with a VOM (input impedance 10 M $\Omega$ ). Voltage variations may be noted due to normal production tolerances.
- : Signal path.
- : FM
- ⇒: AM

- Model name and destination shown by \* 1 to \* 11.
- \* 1 : A27 : Australian
- \* 2 : A27 : E, AU2
- \* 3 : D209 : UK
- \* 4 : D209 : Italian
- \* 5 : D209 : East European
- \* 6 : D209 : German
- \* 7 : D209 : AEP, AE2
- \* 8 : D259 : Italian
- \* 9 : D259 : AEP, AE2
- \* 10 : D259 : UK
- \* 11 : D259 : Canadian
- ★ A : \* 4, 6, 8
- ★ B : \* 3, 5, 7, 9, 10
- ★ C : 209 : AEP, \* 3, 6, D259 : AEP, \* 10

AU2 : AUS (with in PHONO MODEL)  
AE2 : AEP (with in PHONO MODEL)

• Semiconductor Location

| Ref. No.  | Location | Ref. No. | Location |
|-----------|----------|----------|----------|
| D351 (B)  | E-6      | IC1306   | C-12     |
| D1201     | E-19     | IC1601   | J-19     |
| D1202     | E-15     |          |          |
| D1203     | E-15     | Q301 (E) | D-3      |
| D1204     | G-15     | Q302 (E) | D-3      |
| D1205     | C-14     | Q303 (E) | E-3      |
| D1251     | G-19     | Q303 (B) | E-7      |
| D1302     | E-12     | Q304 (E) | E-3      |
| D1303     | E-12     | Q304 (B) | E-7      |
| D1304     | E-12     | Q305 (E) | I-3      |
| D1305     | E-13     | Q305 (B) | I-7      |
| D1306     | E-13     | Q306 (E) | I-3      |
| D1307     | J-23     | Q306 (B) | I-7      |
| D1309     | I-23     | Q307 (E) | H-4      |
| D1311     | I-24     | Q307 (B) | H-4      |
| D1316     | H-12     | Q308 (E) | H-4      |
| D1317     | J-12     | Q308 (B) | H-8      |
| D1318     | D-13     | Q309 (E) | H-4      |
| D1319     | D-14     | Q309 (B) | H-9      |
| D1321     | B-27     | Q351 (B) | D-7      |
| D1322     | C-27     | Q352 (B) | D-7      |
| D1323     | E-13     | Q353 (B) | E-7      |
| D1324     | E-13     | Q354 (B) | E-7      |
| D1341     | I-14     | Q355 (B) | E-6      |
| D1345     | I-13     | Q356 (B) | E-7      |
| D1347     | J-16     | Q501 (E) | F-1      |
| D1354     | B-25     | Q501 (B) | F-6      |
| D1355     | B-25     | Q502 (E) | F-1      |
| D1368     | D-14     | Q502 (B) | F-6      |
| D1369     | D-13     | Q521 (E) | C-4      |
| D1370     | J-24     | Q521 (B) | C-9      |
|           |          | Q522 (E) | B-4      |
| IC301 (E) | G-2      | Q522 (B) | B-9      |
| IC301 (B) | G-7      | Q531 (B) | D-8      |
| IC501 (E) | E-4      | Q532 (B) | C-9      |
| IC501 (B) | E-9      | Q1201    | E-19     |
| IC1001    | D-11     | Q1202    | H-18     |
| IC1002    | G-11     | Q1203    | H-18     |
| IC1003    | I-11     | Q1204    | H-15     |
| IC1201    | F-20     | Q1251    | G-19     |
| IC1202    | F-15     | Q1301    | J-23     |
| IC1302    | J-12     | Q1302    | J-13     |
| IC1303    | I-14     | Q1304    | I-15     |
| IC1304    | H-13     | Q1305    | I-15     |
| IC1305    | H-14     |          |          |

(B) : ★ B  
(E) : EXCEPT ★ B

Note on Mounting Diagram :

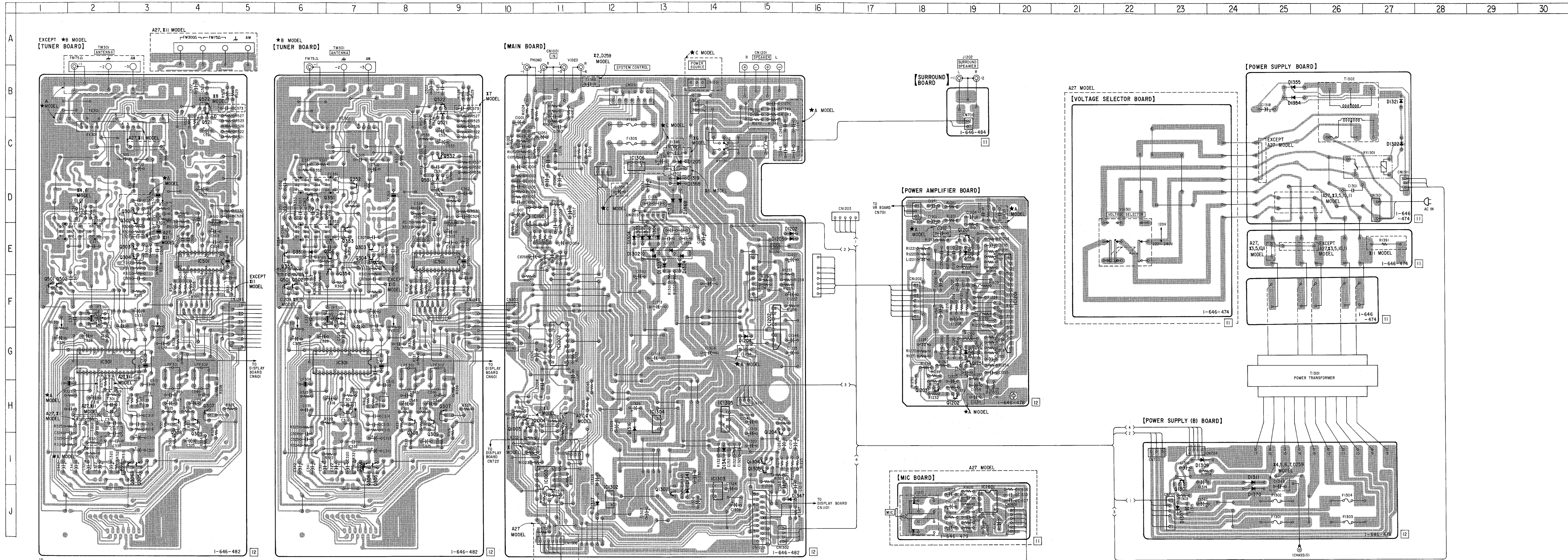
- : Parts extracted from the component side.
- : Pattern on the side which is seen.

• Model name and destination shown by \* 1 to \* 11.

- \* 1 : A27 : Australian
- \* 2 : A27 : E, AU2
- \* 3 : D209 : UK
- \* 4 : D209 : Italian
- \* 5 : D209 : East European
- \* 6 : D209 : German
- \* 7 : D209 : AEP, AE2
- \* 8 : D259 : Italian
- \* 9 : D259 : AEP, AE2
- \* 10 : D259 : UK
- \* 11 : D259 : Canadian
- ★ A : \* 4, 6, 8
- ★ B : \* 3, 5, 7, 9, 10
- ★ C : 209 : AEP, \* 3, 6, D259 : AEP, \* 10

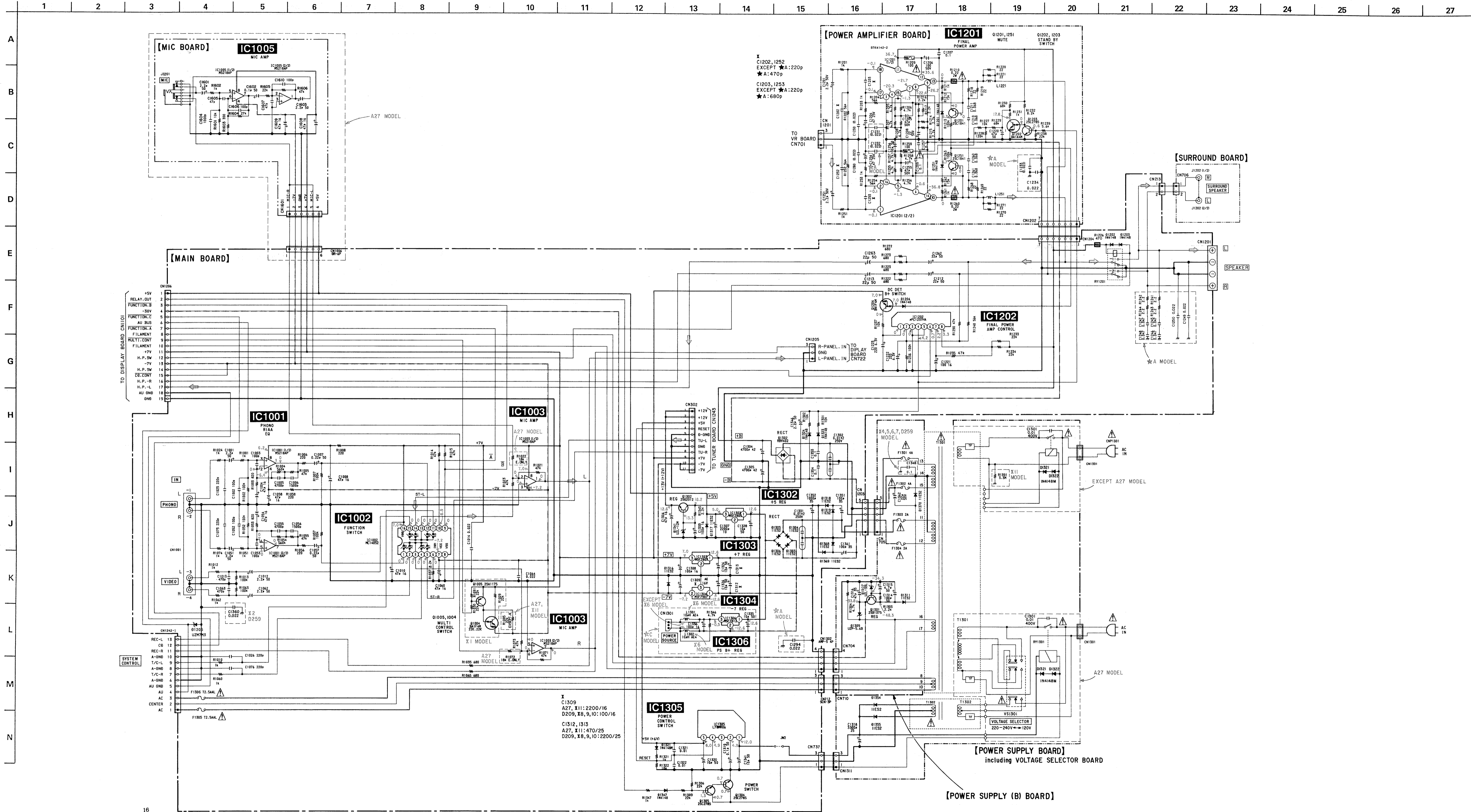
AU2 : AUS (with in PHONO MODEL)  
AE2 : AEP (with in PHONO MODEL)

4-2. PRINTED WIRING BOARD—MAIN SECTION—

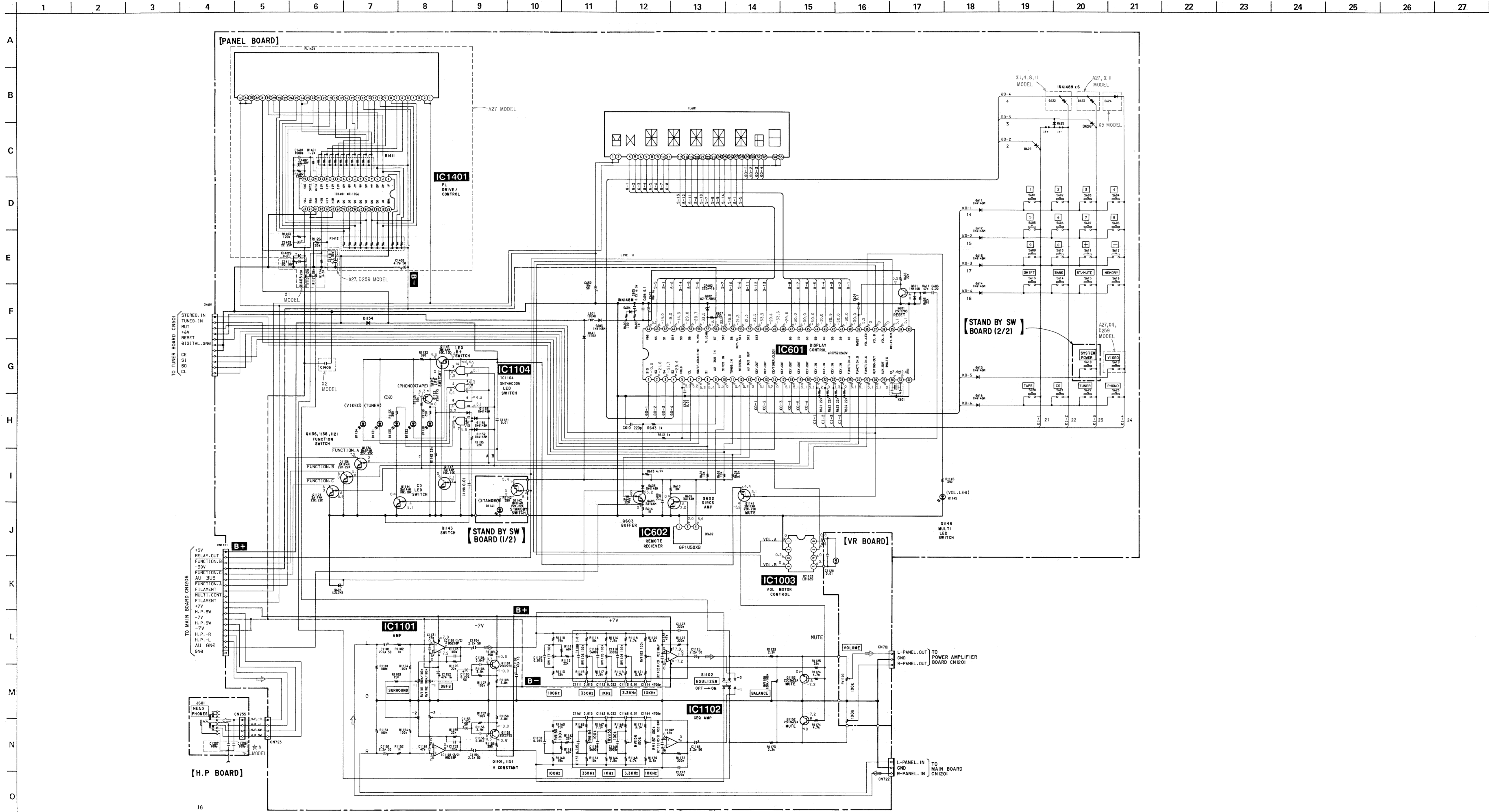




4-3. SCHEMATIC DIAGRAM — MAIN SECTION —



4-4. SCHEMATIC DIAGRAM — DISPLAY SECTION —



**Note on Schematic Diagram :**

- All capacitors are in  $\mu\text{F}$  unless otherwise noted.  $\text{pF}$ :  $\mu\text{F}$  50WV or less are not indicated except for electrolytics and tantalums.
- All resistors are in  $\Omega$  and  $\frac{1}{2}$  W or less unless otherwise specified.
- : nonflammable resistor.
- : fusible resistor.

**Note:**  
The components identified by mark  $\Delta$  or dotted line with mark  $\Delta$  are critical for safety. Replace only with part number specified.

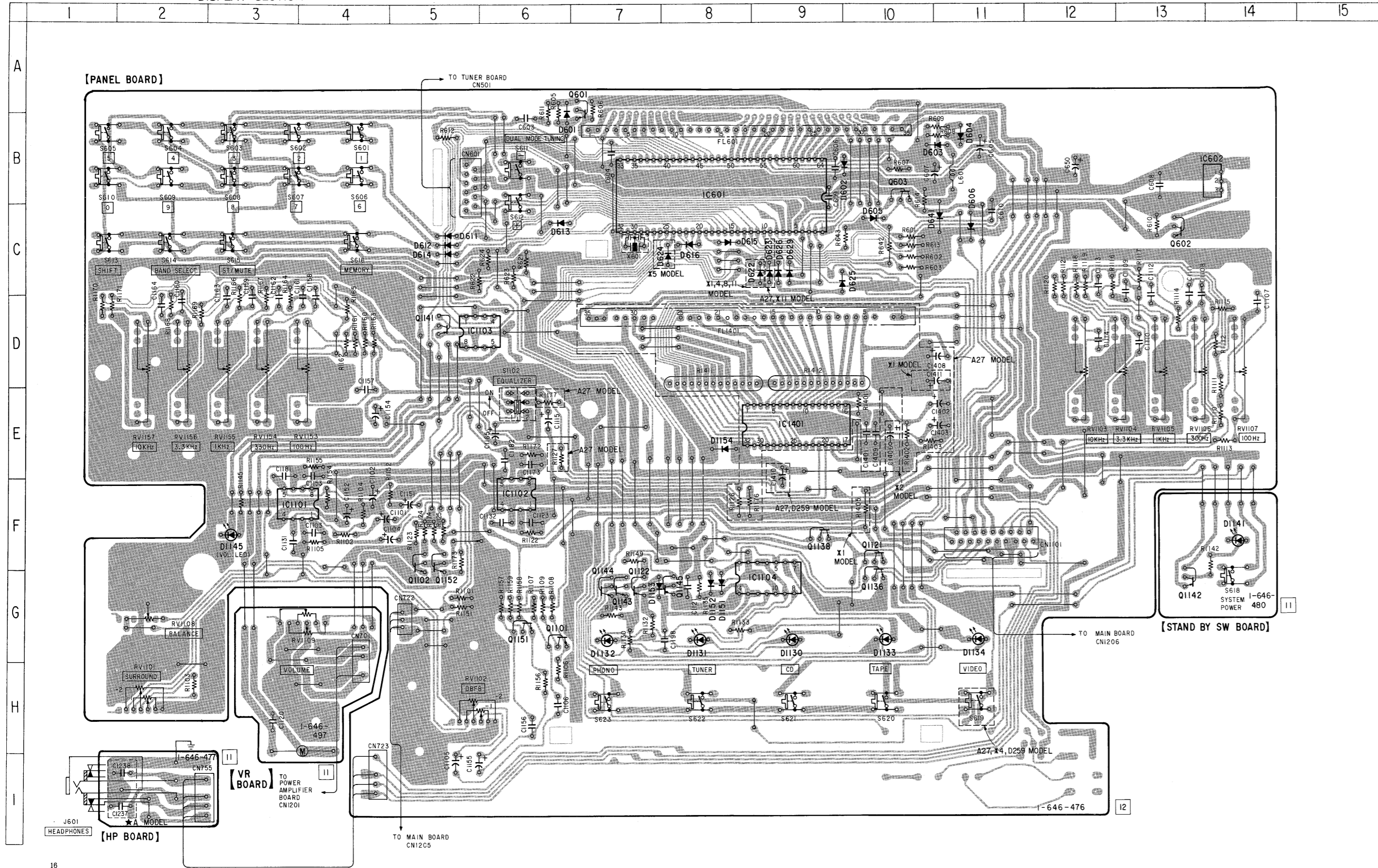
**Note:**  
Les composants identifiés par une marque  $\Delta$  sont critiques pour la sécurité. Ne les remplacer que par une pièce portant le numéro spécifié.

• : adjustment for repair.  
 • : B + Line.  
 • : B - Line.  
 • no mark : FM  
 • Voltages are taken with a VOM (input Impedance 10 M $\Omega$ ). Voltage variations may be noted due to normal production tolerances.  
 • Signal path.  
 • : FM  
 • : AM

• Model name and destination shown by \* 1 to \* 11.  
 \* 1 : A27 : Australian  
 \* 2 : A27 : E, AU2  
 \* 3 : D209 : UK  
 \* 4 : D209 : Italian  
 \* 5 : D209 : East European  
 \* 6 : D209 : German  
 \* 7 : D209 : AEP, AE2  
 \* 8 : D259 : Italian  
 \* 9 : D259 : AEP, AE2  
 \* 10 : D259 : UK  
 \* 11 : D259 : Canadian  
 \* A : \* 4, 6, 8  
 \* B : \* 3, 5, 7, 9, 10  
 \* C : 209 : AEP, \* 3, 6, D259 : AEP, \* 10

AU2 : AUS (with in PHONO MODEL)  
 AE2 : AEP (with in PHONO MODEL)

4-5. PRINTED WIRING BOARD — DISPLAY SECTION —



● Semiconductor Location

| Ref. No. | Location | Ref. No. | Location |
|----------|----------|----------|----------|
| D601     | B-6      | D1153    | G-7      |
| D602     | B-9      | D1154    | E-8      |
| D603     | B-10     |          |          |
| D604     | B-11     | IC601    | B-8      |
| D605     | C-10     | IC602    | B-13     |
| D606     | B-11     | IC1101   | F-3      |
| D611     | C-5      | IC1102   | F-6      |
| D612     | C-5      | IC1103   | D-5      |
| D613     | C-6      | IC1104   | G-8      |
| D614     | C-5      | IC1401   | E-9      |
| D615     | C-8      |          |          |
| D616     | C-8      | Q601     | A-6      |
| D622     | C-8      | Q602     | C-13     |
| D623     | C-9      | Q603     | B-10     |
| D624     | C-8      | Q1101    | G-6      |
| D625     | C-9      | Q1102    | G-5      |
| D626     | C-9      | Q1121    | F-10     |
| D629     | C-9      | Q1122    | F-7      |
| D641     | C-10     | Q1136    | G-10     |
| D1130    | G-9      | Q1138    | F-9      |
| D1131    | G-8      | Q1141    | D-5      |
| D1132    | G-7      | Q1142    | G-13     |
| D1133    | G-10     | Q1143    | G-7      |
| D1134    | G-11     | Q1144    | F-7      |
| D1141    | F-14     | Q1145    | G-8      |
| D1145    | F-3      | Q1151    | G-6      |
| D1151    | G-8      | Q1152    | G-5      |
| D1152    | G-8      |          |          |

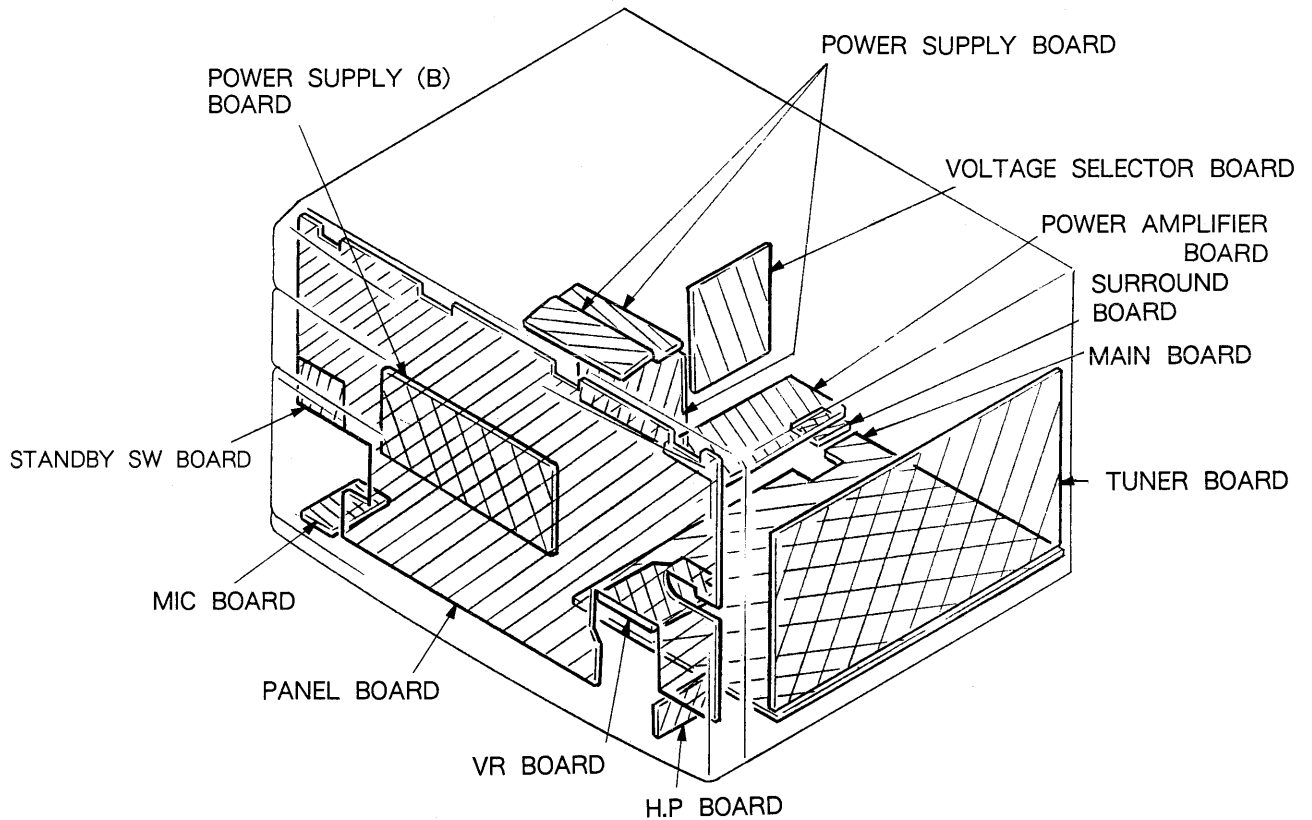
Note on Mounting Diagram :

- : Parts extracted from the component side.
- : Pattern on the side which is seen.

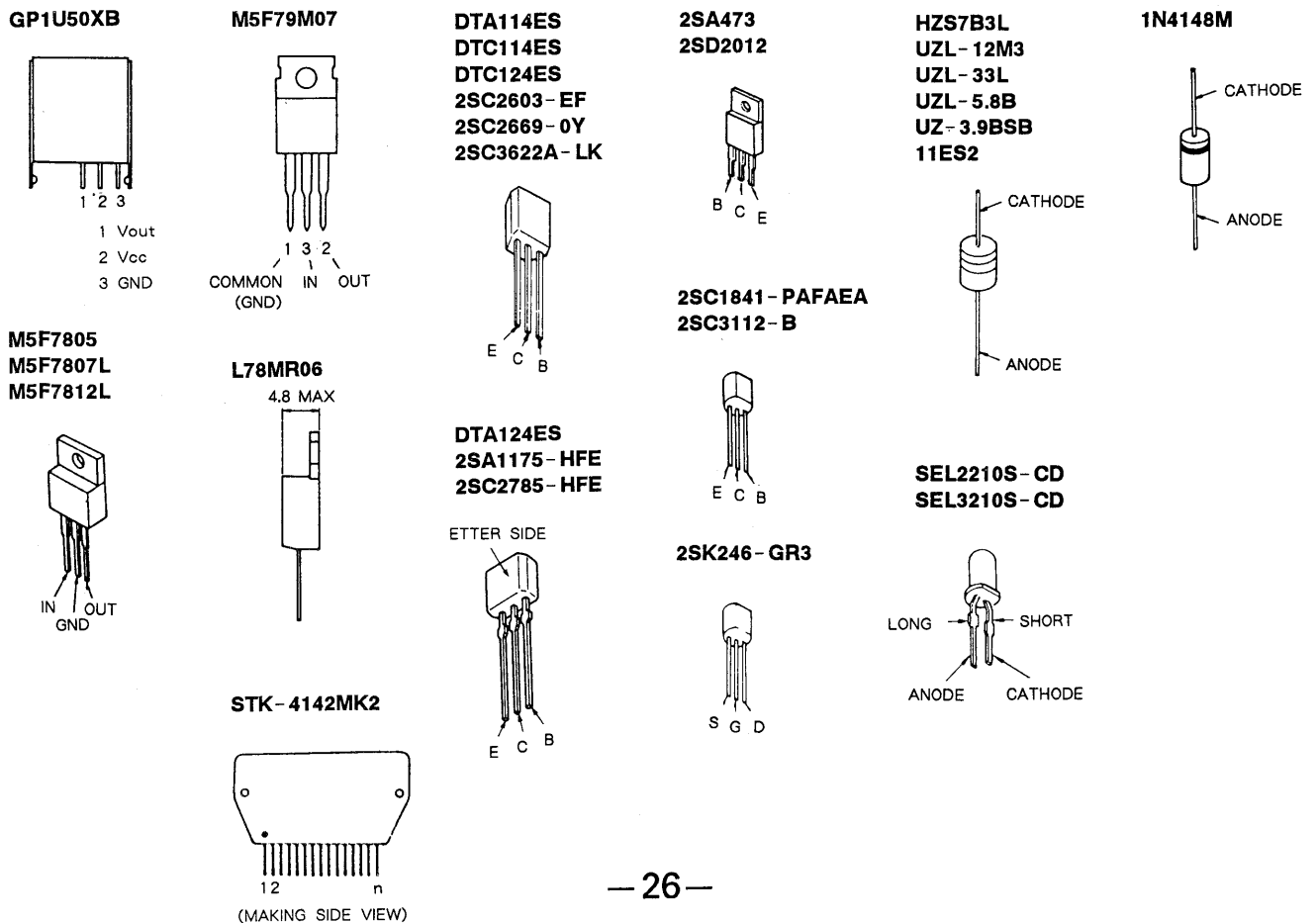
- Model name and destination shown by \* 1 to \* 11.
- \* 1 : A27 : Australian
- \* 2 : A27 : E, AU2
- \* 3 : D209 : UK
- \* 4 : D209 : Italian
- \* 5 : D209 : East European
- \* 6 : D209 : German
- \* 7 : D209 : AEP, AE2
- \* 8 : D259 : Italian
- \* 9 : D259 : AEP, AE2
- \* 10 : D259 : UK
- \* 11 : D259 : Canadian
- ★ A : \* 4, 6, 8
- ★ B : \* 3, 5, 7, 9, 10
- ★ C : 209 : AEP, \* 3, 6, D259 : AEP, \* 10

AU2 : AUS (with in PHONO MODEL)  
 AE2 : AEP (with in PHONO MODEL)

4-6. CIRCUIT BOARDS LOCATION



4-7. SEMICONDUCTOR LEAD LAYOUTS



## SECTION 5 EXPLODED VIEWS

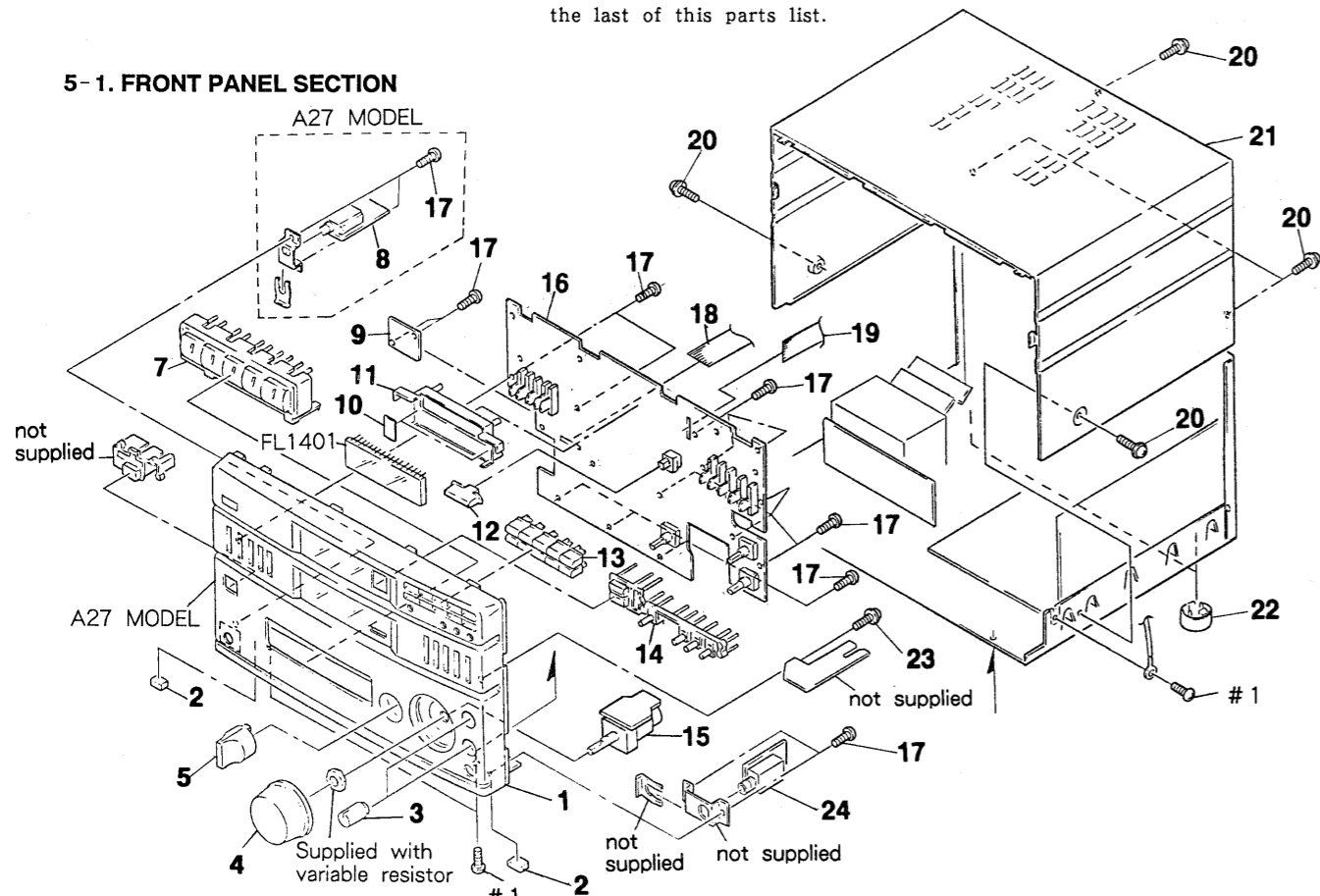
### NOTE:

- -XX, -X mean standardized parts, so they may have some differences from the original one.
- Color Indication of Appearance Parts  
Example:  
KNOB, BALANCE (WHITE)...(RED)  
↑                    ↑  
Parts color      Cabinet's color

- Items marked "\*" are not stocked since they are seldom required for routine service. Some delay should be anticipated when ordering these items.
- The mechanical parts with no reference number in the exploded views are not supplied.
- Hardware (# mark) list is given in the last of this parts list.

- Model name and destination shown by \*1 to \*11.
- \* 1: A27: Australian
- \* 2: A27: E, AU2
- \* 3: D209: UK
- \* 4: D209: Italian
- \* 5: D209: East European
- \* 6: D209: German
- \* 7: D209: AEP, AE2
- \* 8: D259: Italian
- \* 9: D259: AEP, AE2
- \* 10: D259: UK
- \* 11: D259: Canadian
- ★ A: \* 4, 6, 8
- ★ B: \* 3, 5, 7, 9, 10
- ★ C: 209: AEP, \* 3, 6, D259: AEP, \* 10
- AU2: AUS (with in PHONO MODEL)
- AE2: AEP (with in PHONO MODEL)

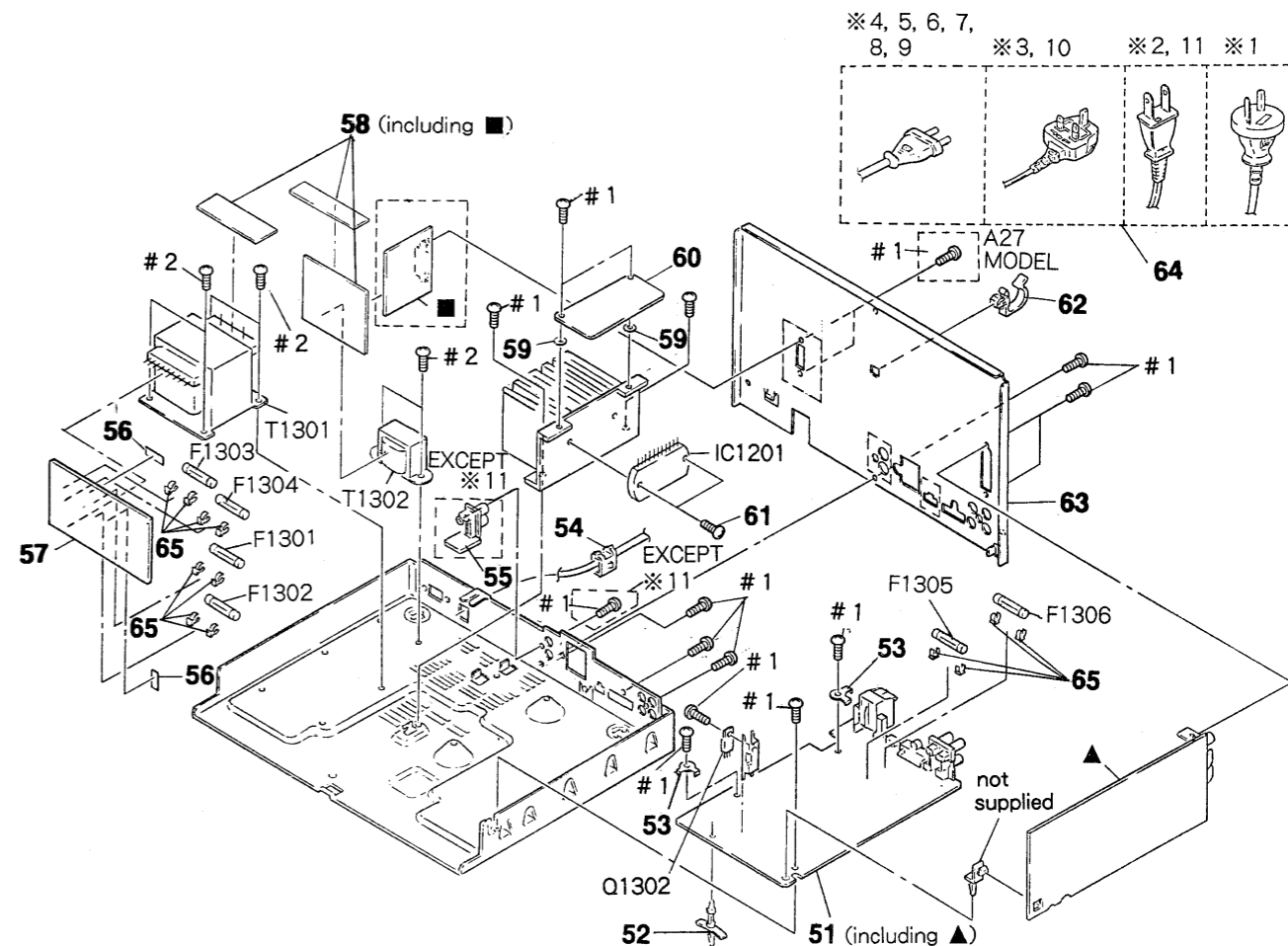
### 5-1. FRONT PANEL SECTION



| Ref. No. | Part No.     | Description                | Remarks | Ref. No. | Part No.     | Description                                | Remarks |
|----------|--------------|----------------------------|---------|----------|--------------|--|---------|
| 1        | X-4943-180-1 | PANEL ASSY, FRONT (#1)     |         | * 16     | A-4356-736-A | PANEL BOARD, COMPLETE (#2)                 |         |
| 1        | X-4943-182-1 | PANEL ASSY, FRONT (D209)   |         | * 16     | A-4356-623-A | PANEL BOARD, COMPLETE (#3)                 |         |
| 1        | X-4943-242-2 | PANEL ASSY, FRONT (#2)     |         | * 16     | A-4356-930-A | PANEL BOARD, COMPLETE (#4)                 |         |
| 1        | X-4943-243-2 | PANEL ASSY, FRONT (D259)   |         | * 16     | A-4360-822-A | PANEL BOARD, COMPLETE (#5)                 |         |
| 2        | 4-948-236-01 | CUSHION (107)              |         | * 16     | A-4356-924-A | PANEL BOARD, COMPLETE (#6)                 |         |
| 3        | 4-955-744-01 | KNOB (BA) (#1, D209)       |         | * 16     | A-4356-608-A | PANEL BOARD, COMPLETE (#7)                 |         |
| 3        | 4-955-744-21 | KNOB (BA) (#2, D259)       |         | * 16     | A-4360-541-A | PANEL BOARD, COMPLETE (#8)                 |         |
| 4        | 4-955-635-01 | KNOB (V) (#1, D209)        |         | * 16     | A-4360-531-A | PANEL BOARD, COMPLETE (#9)                 |         |
| 4        | 4-955-635-21 | KNOB (V) (#2, D259)        |         | * 16     | A-4360-520-A | PANEL BOARD, COMPLETE (#10)                |         |
| 5        | 4-955-636-01 | KNOB (DB) (#1, D209)       |         | * 16     | A-4360-509-A | PANEL BOARD, COMPLETE (#11)                |         |
| 5        | 4-955-636-22 | KNOB (DB) (#2, D259)       |         | 17       | 4-951-620-01 | SCREW (2. 6X8), +BVTP                      |         |
| 7        | X-4943-179-1 | BUTTON (FU) ASSY           |         | 18       | 1-590-578-11 | WIRE, FLAT TYPE (19 CORE)                  |         |
| * 8      | 1-646-479-11 | MIC BOARD (A27)            |         | 19       | 1-590-576-11 | WIRE, FLAT TYPE (11 CORE) (A27, D259)      |         |
| * 9      | 1-646-480-11 | STAND-BY SW BOARD          |         | 19       | 1-590-576-21 | WIRE, FLAT TYPE (11 CORE) (D209)           |         |
| * 10     | 4-949-935-31 | CUSHION (FL)               |         | 20       | 3-704-366-01 | SCREW (CASE) (M3X8)                        |         |
| * 11     | 4-942-301-01 | HOLDER, FL TUBE            |         | * 21     | 4-955-759-11 | CASE (#1, D209)                            |         |
| 12       | 4-955-755-01 | BUTTON (EQ) (#1, D209)     |         | * 21     | 4-955-759-51 | CASE (#2, D259)                            |         |
| 12       | 4-955-755-11 | BUTTON (EQ) (#2, D259)     |         | 22       | 4-933-601-01 | FOOT (#2, D259)                            |         |
| 13       | 4-955-741-01 | BUTTON (PR) (#1, D209)     |         | 22       | X-4941-228-1 | FOOT ASSY (#1, D209)                       |         |
| 13       | 4-955-741-21 | BUTTON (PR) (#2, D259)     |         | 23       | 4-957-577-01 | SCREW PTP WH (2. 6X8) (DIA. 10) (#1, D209) |         |
| 14       | 4-955-745-01 | BUTTON (ST)                |         | 23       | 4-957-577-11 | SCREW PTP WH (2. 6X8) (DIA. 10) (#2, D259) |         |
| * 15     | 1-646-497-11 | VR BOARD                   |         | * 24     | 1-646-477-11 | H. P BOARD                                 |         |
| * 16     | A-4356-640-A | PANEL BOARD, COMPLETE (#1) |         | FL1401   | 1-519-648-21 | INDUCTOR TUBE, FLUORESCENT (A27)           |         |

### 5-2. BACK PANEL SECTION

- ▲ : TUNER BOARD
- : VOLTAGE SELECTOR BOARD



### • CAUTION

Be sure to use insulation sheet (▲ 4-959-364-01) when replacing power transformer because it is safely related part.

| Ref. No. | Part No.     | Description                             | Remarks | Ref. No. | Part No.     | Description                      | Remarks |
|----------|--------------|---|---------|----------|--------------|----------------------------------|---------|
| * 51     | A-4356-650-A | MAIN BOARD, COMPLETE (*1)               |         | * 63     | 4-955-778-91 | PANEL, BACK (*6)                 |         |
| * 51     | A-4356-742-A | MAIN BOARD, COMPLETE (*2)               |         | * 63     | 4-955-778-11 | PANEL, BACK (D209:AEP)           |         |
| * 51     | A-4356-630-A | MAIN BOARD, COMPLETE (*3)               |         | * 63     | 4-955-778-81 | PANEL, BACK (D209:AE2)           |         |
| * 51     | A-4356-933-A | MAIN BOARD, COMPLETE (*4)               |         | * 63     | 4-955-824-31 | PANEL, BACK (*8)                 |         |
| * 51     | A-4360-821-A | MAIN BOARD, COMPLETE (*5)               |         | * 63     | 4-955-824-11 | PANEL, BACK (D259:AEP)           |         |
| * 51     | A-4356-926-A | MAIN BOARD, COMPLETE (*6)               |         | * 63     | 4-955-824-81 | PANEL, BACK (D259:AE2)           |         |
| * 51     | A-4356-618-A | MAIN BOARD, COMPLETE (D209:AEP)         |         | * 63     | 4-955-824-21 | PANEL, BACK (*10)                |         |
| * 51     | A-4356-928-A | MAIN BOARD, COMPLETE (D209:AE2)         |         | * 63     | 4-955-824-51 | PANEL, BACK (*11)                |         |
| * 51     | A-4360-543-A | MAIN BOARD, COMPLETE (*8)               |         | △64      | 1-696-848-21 | CORD, POWER (*1)                 |         |
| * 51     | A-4360-534-A | MAIN BOARD, COMPLETE (D259:AEP)         |         | △64      | 1-690-608-11 | CORD, POWER (A27:AU2)            |         |
| * 51     | A-4360-538-A | MAIN BOARD, COMPLETE (D259:AE2)         |         | △64      | 1-575-653-11 | CORD, POWER (A27:E)              |         |
| * 51     | A-4360-523-A | MAIN BOARD, COMPLETE (*10)              |         | △64      | 1-696-570-21 | CORD, POWER (*3, 10)             |         |
| * 51     | A-4360-511-A | MAIN BOARD, COMPLETE (*11)              |         | △64      | 1-575-651-11 | CORD, POWER (*4, 5, 6, 7, 8, 9)  |         |
| * 52     | 4-954-051-51 | HOLDER, PC BOARD                        |         | △64      | 1-690-609-21 | CORD, POWER (*11)                |         |
| * 53     | 4-942-204-01 | PLATE, GROUND                           |         | 65       | 1-533-217-31 | HOLDER, FUSE (*1, D209)          |         |
| * 54     | 3-703-244-00 | BUSHING (2104), CORD (EXCEOT A27:E)     |         | * 65     | 1-533-213-11 | HOLDER, FUSE (*2, D259)          |         |
| * 54     | 3-703-571-11 | BUSHING (S)(4516), CORD (A27:E)         |         | △F1301   | 1-532-350-00 | FUSE 4A (A27, D209, *9, 10)      |         |
| * 55     | 1-646-484-11 | SURROUND BOARD (EXCEPT *11)             |         | △F1301   | 1-576-108-11 | FUSE 4A (*8, 11)                 |         |
| * 56     | 3-701-946-26 | LABEL (4A125V), FUSE (*11)              |         | △F1302   | 1-532-350-00 | FUSE 4A (A27, D209, *9, 10)      |         |
| * 57     | 1-646-478-11 | POWER SUPPLY (B) BOARD                  |         | △F1302   | 1-576-108-11 | FUSE 4A (*8, 11)                 |         |
| * 58     | 1-646-474-11 | POWER SUPPLY BOARD                      |         | △F1303   | 1-532-203-00 | FUSE 2A (D209, *9, 10)           |         |
| 59       | 3-330-034-01 | WASHER (*2, D259)                       |         | △F1303   | 1-532-286-00 | FUSE 2.5A (A27, D209, *9, 10)    |         |
| 59       | 3-564-542-00 | WASHER, FIBER (D209)                    |         | △F1303   | 1-576-104-11 | FUSE 2A (*8)                     |         |
| * 60     | A-4356-649-A | POWER AMPLIFIER BOARD, COMPLETE (*1)    |         | △F1304   | 1-532-203-00 | FUSE 2A (D209, *9, 10)           |         |
| * 60     | A-4356-749-A | POWER AMPLIFIER BOARD, COMPLETE (*2)    |         | △F1304   | 1-532-286-00 | FUSE 2.5A (A27, D209, *9, 10)    |         |
| * 60     | A-4356-628-A | POWER AMPLIFIER BOARD, COMPLETE (*3)    |         | △F1304   | 1-576-104-11 | FUSE 2A (*8)                     |         |
| * 60     | A-4356-935-A | POWER AMPLIFIER BOARD, COMPLETE (*4, 6) |         | △F1305   | 1-532-286-00 | FUSE 2.5A (A27, D209, *9, 10)    |         |
| * 60     | A-4356-616-A | POWER AMPLIFIER BOARD, COMPLETE (*5, 7) |         | △F1305   | 1-576-105-11 | FUSE 2.5A (*8, 11)               |         |
| * 60     | A-4360-546-A | POWER AMPLIFIER BOARD, COMPLETE (*8)    |         | △F1306   | 1-532-286-00 | FUSE 2.5A (A27, D209, *9, 10)    |         |
| * 60     | A-4360-537-A | POWER AMPLIFIER BOARD, COMPLETE (*9)    |         | △F1306   | 1-576-105-11 | FUSE 2.5A (*8, 11)               |         |
| * 60     | A-4360-527-A | POWER AMPLIFIER BOARD, COMPLETE (*10)   |         | IC1201   | 8-749-900-24 | IC STK-4162MK2 (A27, *11)        |         |
| * 60     | A-4360-516-A | POWER AMPLIFIER BOARD, COMPLETE (*11)   |         | IC1201   | 8-749-900-96 | IC STK-4162MK2 (D209, *8, 9, 10) |         |
| 61       | 4-928-635-11 | SCREW, +BV (2.6X16) TAPPING             |         | Q1302    | 8-729-209-15 | TRANSISTOR 2SD2012               |         |
| * 62     | 4-949-235-01 | HOOK (*2, 4, 5, 6, 7, 9, 11)            |         | △T1301   | 1-423-438-11 | TRANSFORMER, POWER (*1)          |         |
| * 63     | 4-955-781-11 | PANEL, BACK (*1)                        |         | △T1301   | 1-423-438-21 | TRANSFORMER, POWER (*2)          |         |
| * 63     | 4-955-824-91 | PANEL, BACK (A27:E)                     |         | △T1301   | 1-423-437-11 | TRANSFORMER, POWER (D209)        |         |
| * 63     | 4-955-824-61 | PANEL, BACK (A27:AU2)                   |         | △T1301   | 1-423-437-21 | TRANSFORMER, POWER (*8, 9, 10)   |         |
| * 63     | 4-955-778-21 | PANEL, BACK (*3)                        |         | △T1301   | 1-423-431-11 | TRANSFORMER, POWER (*11)         |         |
| * 63     | 4-955-778-31 | PANEL, BACK (*4)                        |         | △T1302   | 1-449-723-31 | TRANSFORMER, POWER (EXCEPT *11)  |         |
| * 63     | 4-955-778-41 | PANEL, BACK (*5)                        |         | △T1302   | 1-450-786-11 | TRANSFORMER, POWER (*11)         |         |

**Note:**  
The components identified by mark  $\triangle$  or dotted line with mark  $\triangle$  are critical for safety.  
Replace only with part number specified.

**Note:**  
Les composants identifiés par une marque  $\triangle$  sont critiques pour la sécurité.  
Ne les remplacer que par une pièce portant le numéro spécifié.

**MAIN SURROUND**

**SECTION 6  
ELECTRICAL PARTS LIST**

- Model name and destination shown by \* 1 to \* 11.
  - \* 1 : A27 : Australian
  - \* 2 : A27 : E, AU2
  - \* 3 : D209 : UK
  - \* 4 : D209 : Italian
  - \* 5 : D209 : East European
  - \* 6 : D209 : German
  - \* 7 : D209 : AEP, AE2
  - \* 8 : D259 : Italian
  - \* 9 : D259 : AEP, AE2
  - \* 10 : D259 : UK
  - \* 11 : D259 : Canadian
  - ★ A : \* 4, 6, 8
  - ★ B : \* 3, 5, 7, 9, 10
  - ★ C : 209 : AEP, \* 3, 6, D259 : AEP, \* 10
- AU2 : AUS (with in PHONO MODEL)  
AE2 : AEP (with in PHONO MODEL)

**NOTE:**

- Due to standardization, replacements in the parts list may be different from the parts specified in the diagrams or the components used on the set.
- -XX, -X mean standardized parts, so they may have some difference from the original one.
- RESISTORS  
All resistors are in ohms.  
METAL : metal-film resistor  
METAL OXIDE : Metal Oxide-film resistor  
F : nonflammable

- Items marked "\*" are not stocked since they are seldom required for routine service. Some delay should be anticipated when ordering these items.
- SEMICONDUCTORS  
In each case, u :  $\mu$ , for example :  
uA... :  $\mu$ A..., uPA...,  $\mu$ PA...,  
uPB...,  $\mu$ PB..., uPC...,  $\mu$ PC...,  
uPD...,  $\mu$ PD...
- CAPACITORS :  
uF :  $\mu$ F
- COILS  
uH :  $\mu$ H

| Ref. No. | Part No.     | Description                              | Remarks | Ref. No. | Part No.     | Description      | Remarks                 |
|----------|--------------|--|---------|----------|--------------|------------------|-------------------------|
| *        | A-4356-650-A | MAIN BOARD, COMPLETE (*1)<br>*****       |         |          |              | < CAPACITOR >    |                         |
| *        | A-4356-742-A | MAIN BOARD, COMPLETE (*2)<br>*****       |         | C301     | 1-161-379-00 | CERAMIC 0.01uF   | 20% 25V (★:A)           |
| *        | A-4356-630-A | MAIN BOARD, COMPLETE (*3)<br>*****       |         | C302     | 1-124-477-11 | ELECT 47uF       | 20% 25V                 |
| *        | A-4356-933-A | MAIN BOARD, COMPLETE (*4)<br>*****       |         | C303     | 1-161-379-00 | CERAMIC 0.01uF   | 20% 25V                 |
| *        | A-4360-821-A | MAIN BOARD, COMPLETE (*5)<br>*****       |         | C305     | 1-161-379-00 | CERAMIC 0.01uF   | 20% 25V (★:A)           |
| *        | A-4356-926-A | MAIN BOARD, COMPLETE (*6)<br>*****       |         | C306     | 1-161-379-00 | CERAMIC 0.01uF   | 20% 25V (★:A)           |
| *        | A-4356-618-A | MAIN BOARD, COMPLETE (D209:AEP)<br>***** |         | C307     | 1-161-379-00 | CERAMIC 0.01uF   | 20% 25V<br>(EXCEPT *1)  |
| *        | A-4356-928-A | MAIN BOARD, COMPLETE (D209:AE2)<br>***** |         | C308     | 1-161-379-00 | CERAMIC 0.01uF   | 20% 25V<br>(EXCEPT *1)  |
| *        | A-4360-543-A | MAIN BOARD, COMPLETE (*8)<br>*****       |         | C309     | 1-161-379-00 | CERAMIC 0.01uF   | 20% 25V                 |
| *        | A-4360-534-A | MAIN BOARD, COMPLETE (D259:AEP)<br>***** |         | C310     | 1-124-477-11 | ELECT 47uF       | 20% 25V                 |
| *        | A-4360-538-A | MAIN BOARD, COMPLETE (D259:AE2)<br>***** |         | C311     | 1-161-379-00 | CERAMIC 0.01uF   | 20% 25V                 |
| *        | A-4360-523-A | MAIN BOARD, COMPLETE (*10)<br>*****      |         | C312     | 1-101-006-00 | CERAMIC 0.047uF  | 50V                     |
| *        | A-4360-511-A | MAIN BOARD, COMPLETE (*11)<br>*****      |         | C313     | 1-123-382-00 | ELECT 3.3uF      | 20% 100V                |
| *        | 1-646-484-11 | SURROUND BOARD (EXCEPT *11)<br>*****     |         | C314     | 1-161-379-00 | CERAMIC 0.01uF   | 20% 25V                 |
| *        | 1-533-213-11 | HOLDER, FUSE (*2, D259)                  |         | C315     | 1-161-329-00 | CERAMIC 0.0068uF | 30% 16V                 |
| *        | 1-533-213-31 | HOLDER, FUSE (*2, D259)                  |         | C316     | 1-162-282-31 | CERAMIC 100PF    | 10% 50V                 |
| *        | 1-533-217-31 | HOLDER, FUSE (*1, D209)                  |         | C317     | 1-162-292-31 | CERAMIC 680PF    | 10% 50V (*4, 6)         |
| *        | 1-533-293-11 | FUSE HOLDER (*2, D259)                   |         | C317     | 1-162-289-31 | CERAMIC 390PF    | 10% 50V (*8)            |
| *        | 4-942-204-01 | PLATE, GROUND                            |         | C318     | 1-124-903-11 | ELECT 1uF        | 20% 50V                 |
|          | 7-685-646-79 | SCREW +BVTP 3X8 TYPE2 N-S (*6)           |         | C320     | 1-124-903-11 | ELECT 1uF        | 20% 50V                 |
|          |              |  |         | C321     | 1-124-902-00 | ELECT 0.47uF     | 20% 50V                 |
|          |              |  |         | C322     | 1-124-463-00 | ELECT 0.1uF      | 20% 50V                 |
|          |              |  |         | C323     | 1-161-329-00 | CERAMIC 0.0068uF | 20% 16V<br>(EXCEPT *11) |
|          |              |  |         | C323     | 1-161-379-00 | CERAMIC 0.01uF   | 20% 25V (*11)           |
|          |              |  |         | C324     | 1-161-329-00 | CERAMIC 0.0068uF | 20% 16V<br>(EXCEPT *11) |
|          |              |  |         | C324     | 1-161-379-00 | CERAMIC 0.01uF   | 20% 25V (*11)           |
|          |              |  |         | C325     | 1-124-477-11 | ELECT 47uF       | 20% 25V                 |
|          |              |  |         | C326     | 1-124-907-11 | ELECT 10uF       | 20% 50V                 |
|          |              |  |         | C327     | 1-161-379-00 | CERAMIC 0.01uF   | 20% 25V                 |
|          |              |  |         | C328     | 1-124-463-00 | ELECT 0.1uF      | 20% 50V                 |

|  |  |
|--|--|
| <p><b>Note:</b><br/>The components identified by mark <math>\Delta</math> or dotted line with mark <math>\Delta</math> are critical for safety. Replace only with part number specified.</p> | <p><b>Note:</b><br/>Les composants identifiés par une marque <math>\Delta</math> sont critiques pour la sécurité. Ne les remplacer que par une pièce portant le numéro spécifié.</p> |
|--|--|

When indicating parts by reference number, please include the board name.

| Ref. No. | Part No.     | Description | Remarks                     | Ref. No. | Part No.     | Description       | Remarks                   |
|----------|--------------|-------------|-----------------------------|----------|--------------|-------------------|---------------------------|
| C329     | 1-124-927-11 | ELECT       | 4. 7uF 20% 100V             | C1013    | 1-162-290-31 | CERAMIC 470PF     | 10% 50V                   |
| C330     | 1-161-379-00 | CERAMIC     | 0. 01uF 20% 25V             | C1014    | 1-161-494-00 | CERAMIC 0. 022uF  | 25V                       |
| C331     | 1-126-176-11 | ELECT       | 220uF 20% 10V               | C1025    | 1-162-286-31 | CERAMIC 220PF     | 10% 50V                   |
| C332     | 1-161-379-00 | CERAMIC     | 0. 01uF 20% 25V             | C1026    | 1-162-286-31 | CERAMIC 220PF     | 10% 50V                   |
| C335     | 1-161-379-00 | CERAMIC     | 0. 01uF 20% 25V             | C1051    | 1-124-925-11 | ELECT 2. 2uF      | 20% 100V                  |
| C336     | 1-161-379-00 | CERAMIC     | 0. 01uF 20% 25V             | C1052    | 1-162-282-31 | CERAMIC 100PF     | 10% 50V                   |
| C339     | 1-162-210-31 | CERAMIC     | 30PF 5% 50V (★:B)           | C1053    | 1-162-282-31 | CERAMIC 100PF     | 10% 50V                   |
| C341     | 1-123-382-00 | ELECT       | 3. 3uF 20% 100V             | C1054    | 1-124-477-11 | ELECT 47uF        | 20% 25V                   |
| C342     | 1-123-382-00 | ELECT       | 3. 3uF 20% 100V             | C1055    | 1-161-377-00 | CERAMIC 0. 0047uF | 20% 16V                   |
| C343     | 1-123-382-00 | ELECT       | 3. 3uF 20% 100V             | C1056    | 1-161-374-11 | CERAMIC 0. 0015uF | 20% 50V                   |
| C344     | 1-123-382-00 | ELECT       | 3. 3uF 20% 100V             | C1057    | 1-124-464-11 | ELECT 0. 22uF     | 20% 50V                   |
| C345     | 1-161-375-00 | CERAMIC     | 0. 0022uF 20% 50V           | C1058    | 1-124-477-11 | ELECT 47uF        | 20% 25V                   |
| C346     | 1-161-375-00 | CERAMIC     | 0. 0022uF 20% 50V           | C1060    | 1-124-477-11 | ELECT 47uF        | 20% 25V                   |
| C351     | 1-161-494-00 | CERAMIC     | 0. 022uF 25V (★:B)          | C1062    | 1-124-925-11 | ELECT 2. 2uF      | 20% 100V                  |
| C352     | 1-102-120-00 | CERAMIC     | 0. 0018uF 10% 50V (★:B)     | C1063    | 1-162-290-31 | CERAMIC 470PF     | 10% 50V                   |
| C353     | 1-161-374-11 | CERAMIC     | 0. 0015uF 20% 50V (★:B)     | C1064    | 1-161-494-00 | CERAMIC 0. 022uF  | 25V                       |
| C354     | 1-161-494-00 | CERAMIC     | 0. 022uF 25V (★:B)          | C1075    | 1-162-286-31 | CERAMIC 220PF     | 10% 50V                   |
| C361     | 1-164-098-11 | CERAMIC     | 0. 047uF 12V                | C1076    | 1-162-286-31 | CERAMIC 220PF     | 10% 50V                   |
| C361     | 1-161-379-00 | CERAMIC     | 0. 01uF 20% 25V (*4, 6)     | C1212    | 1-124-916-11 | ELECT 22uF        | 20% 63V                   |
| C362     | 1-161-494-00 | CERAMIC     | 0. 022uF 25V                | C1213    | 1-124-916-11 | ELECT 22uF        | 20% 63V                   |
| C363     | 1-164-159-11 | CERAMIC     | 0. 1uF 50V (★:B)            | C1221    | 1-126-101-11 | ELECT 100uF       | 20% 16V                   |
| C364     | 1-161-494-00 | CERAMIC     | 0. 022uF 25V (★:B)          | C1222    | 1-126-176-11 | ELECT 220uF       | 20% 10V                   |
| C371     | 1-162-198-31 | CERAMIC     | 8. 2PF 10% 50V (EXCEPT ★:B) | C1223    | 1-126-176-11 | ELECT 220uF       | 20% 10V                   |
| C371     | 1-162-196-31 | CERAMIC     | 5. 6PF 10% 50V (★:B)        | C1245    | 1-101-006-00 | CERAMIC 0. 047uF  | 50V (★:A)                 |
| C373     | 1-162-288-31 | CERAMIC     | 330PF 10% 50V (*7, *8)      | C1246    | 1-101-006-00 | CERAMIC 0. 047uF  | 50V (★:A)                 |
| C501     | 1-102-961-00 | CERAMIC     | 27PF 5% 50V                 | C1247    | 1-101-006-00 | CERAMIC 0. 047uF  | 50V (★:A)                 |
| C502     | 1-102-961-00 | CERAMIC     | 27PF 5% 50V                 | C1248    | 1-101-006-00 | CERAMIC 0. 047uF  | 50V (★:A)                 |
| C503     | 1-124-477-11 | ELECT       | 47uF 20% 25V                | C1249    | 1-161-494-00 | CERAMIC 0. 022uF  | 25V (★:A)                 |
| C504     | 1-161-379-00 | CERAMIC     | 0. 01uF 20% 25V             | C1250    | 1-161-494-00 | CERAMIC 0. 022uF  | 25V (★:A)                 |
| C505     | 1-161-379-00 | CERAMIC     | 0. 01uF 20% 25V             | C1262    | 1-124-916-11 | ELECT 22uF        | 20% 63V                   |
| C506     | 1-161-379-00 | CERAMIC     | 0. 01uF 20% 25V             | C1263    | 1-124-916-11 | ELECT 22uF        | 20% 63V                   |
| C507     | 1-161-379-00 | CERAMIC     | 0. 01uF 20% 25V             | C1294    | 1-161-494-00 | CERAMIC 0. 022uF  | 25V (★:A)                 |
| C521     | 1-124-925-11 | ELECT       | 2. 2uF 20% 100V             | C1302    | 1-102-394-11 | CERAMIC 0. 01uF   | 250V                      |
| C522     | 1-124-463-00 | ELECT       | 0. 1uF 20% 50V              | C1304    | 1-126-224-11 | ELECT 4700uF      | 20% 42V                   |
| C523     | 1-161-379-00 | CERAMIC     | 0. 01uF 20% 25V             | C1305    | 1-126-224-11 | ELECT 4700uF      | 20% 42V                   |
| C524     | 1-161-379-00 | CERAMIC     | 0. 01uF 20% 25V             | C1306    | 1-124-477-11 | ELECT 47uF        | 20% 25V                   |
| C525     | 1-124-477-11 | ELECT       | 47uF 20% 25V (EXCEPT *5)    | C1307    | 1-124-893-11 | ELECT 2200uF      | 20% 10V                   |
| C525     | 1-126-101-11 | ELECT       | 100uF 20% 16V (*5)          | C1308    | 1-126-101-11 | ELECT 100uF       | 20% 16V                   |
| C531     | 1-136-173-00 | FILM        | 0. 47uF 5% 50V (★:B)        | C1309    | 1-124-556-11 | ELECT 2200uF      | 20% 16V (A27, *11)        |
| C532     | 1-161-494-00 | CERAMIC     | 0. 022uF 25V (★:B)          | C1309    | 1-126-101-11 | ELECT 100uF       | 20% 16V (D209, *8, 9, 10) |
| C533     | 1-124-463-00 | ELECT       | 0. 1uF 20% 50V (★:B)        | C1312    | 1-124-564-11 | ELECT 4700uF      | 20% 25V (A27, *11)        |
| C1001    | 1-124-925-11 | ELECT       | 2. 2uF 20% 100V             | C1312    | 1-124-563-11 | ELECT 2200uF      | 20% 25V (D209, *8, 9, 10) |
| C1002    | 1-162-282-31 | CERAMIC     | 100PF 10% 50V               | C1313    | 1-124-564-11 | ELECT 4700uF      | 20% 25V (A27, *11)        |
| C1003    | 1-162-282-31 | CERAMIC     | 100PF 10% 50V               | C1313    | 1-124-563-11 | ELECT 2200uF      | 20% 25V (D209, *8, 9, 10) |
| C1004    | 1-124-477-11 | ELECT       | 47uF 20% 25V                | C1319    | 1-124-463-00 | ELECT 0. 1uF      | 20% 50V                   |
| C1005    | 1-161-377-00 | CERAMIC     | 0. 0047uF 20% 16V           | C1320    | 1-124-907-11 | ELECT 10uF        | 20% 50V                   |
| C1006    | 1-161-374-11 | CERAMIC     | 0. 0015uF 20% 50V           | C1321    | 1-161-379-00 | CERAMIC 0. 01uF   | 20% 25V                   |
| C1007    | 1-124-464-11 | ELECT       | 0. 22uF 20% 50V             |          |              |                   |                           |
| C1008    | 1-124-477-11 | ELECT       | 47uF 20% 25V                |          |              |                   |                           |
| C1010    | 1-124-477-11 | ELECT       | 47uF 20% 25V                |          |              |                   |                           |
| C1012    | 1-124-925-11 | ELECT       | 2. 2uF 20% 100V             |          |              |                   |                           |



|      |          |
|------|----------|
| MAIN | SURROUND |
|------|----------|

| Ref. No. | Part No.     | Description     | Remarks       |
|----------|--------------|-----------------|---------------|
| C1322    | 1-161-379-00 | CERAMIC 0.01uF  | 20% 25V       |
| C1324    | 1-124-907-11 | ELECT 10uF      | 20% 50V       |
| C1326    | 1-124-907-11 | ELECT 10uF      | 20% 50V       |
| C1328    | 1-124-907-11 | ELECT 10uF      | 20% 50V       |
| C1330    | 1-126-101-11 | ELECT 100uF     | 20% 16V       |
| C1331    | 1-102-394-11 | CERAMIC 0.01uF  | 250V          |
| C1335    | 1-124-907-11 | ELECT 10uF      | 20% 50V (★:C) |
| C1336    | 1-126-101-11 | ELECT 100uF     | 20% 16V (★:C) |
| C1341    | 1-124-907-11 | ELECT 10uF      | 20% 50V       |
| C1346    | 1-124-925-11 | ELECT 2.2uF     | 20% 100V      |
| C1351    | 1-124-122-11 | ELECT 100uF     | 20% 50V       |
| C1352    | 1-126-105-11 | ELECT 1000uF    | 20% 35V       |
| C1353    | 1-136-165-00 | FILM 0.1uF      | 5% 50V        |
| C1354    | 1-136-165-00 | FILM 0.1uF      | 5% 50V        |
| C1360    | 1-161-494-00 | CERAMIC 0.022uF | 25V           |
|          |              |                 | (*2, D259)    |
| C1361    | 1-124-122-11 | ELECT 100uF     | 20% 50V       |

< FILTER >

|       |              |                              |
|-------|--------------|------------------------------|
| CF301 | 1-577-070-81 | FILTER, CERAMIC (EXCEPT ★:A) |
| CF301 | 1-567-389-11 | FILTER, CERAMIC (★:A)        |
| CF303 | 1-577-070-81 | FILTER, CERAMIC (EXCEPT ★:A) |
| CF303 | 1-567-389-11 | FILTER, CERAMIC (★:A)        |
| CF304 | 1-577-075-11 | OSCILLATOR, CERAMIC          |

< CONNECTOR >

|          |              |   |
|----------|--------------|---|
| * CN212  | 1-564-506-11 | PLUG, CONNECTOR 3P                      |
| CN302    | 1-695-089-11 | PIN, CONNECTOR (PC BOARD) 11P           |
| * CN501  | 1-568-830-11 | SOCKET, CONNECTOR 11P                   |
| * CN1001 | 1-580-912-21 | JACK, PIN 4P (IN) (*2, D259)            |
| * CN1001 | 1-580-912-11 | JACK, PIN 4P (IN) (*1, D209)            |
| * CN1006 | 1-568-955-11 | PIN, CONNECTOR 6P (A27)                 |
| CN1201   | 1-537-494-11 | TERMINAL BOARD (SPEAKER) (EXCEPT *4, 8) |
| CN1201   | 1-537-481-11 | TERMINAL BOARD (SPEAKER) (*4, 8)        |
| * CN1203 | 1-564-508-11 | PLUG, CONNECTOR 5P                      |
| CN1205   | 1-506-468-11 | PIN, CONNECTOR 3P                       |
| CN1206   | 1-568-802-11 | SOCKET, CONNECTOR 19P                   |
| * CN1241 | 1-565-291-11 | SOCKET, CONNECTOR 13P (SYSTEM CONTROL)  |
| CN1243   | 1-695-094-11 | SOCKET, CONNECTOR 11P                   |
| CN1244   | 1-506-469-11 | PIN, CONNECTOR 4P (A27, *9, 10, 11)     |
| * CN1301 | 1-566-210-11 | PIN, CONNECTOR 3P (POWER SOURCE) (★:C)  |

CN1302 1-506-469-11 PIN, CONNECTOR 4P

< DIODE >

|       |              |                     |
|-------|--------------|---------------------|
| D351  | 8-719-987-63 | DIODE 1N4148M (★:B) |
| D1202 | 8-719-987-63 | DIODE 1N4148M       |
| D1203 | 8-719-987-63 | DIODE 1N4148M       |
| D1204 | 8-719-987-63 | DIODE 1N4148M       |
| D1205 | 8-719-933-48 | DIODE HZS7B3L       |
| D1302 | 8-719-312-09 | DIODE RBA-402       |
| D1303 | 8-719-200-82 | DIODE 11ES2         |

| Ref. No. | Part No.     | Description    | Remarks |
|----------|--------------|----------------|---------|
| D1304    | 8-719-200-82 | DIODE 11ES2    |         |
| D1305    | 8-719-200-82 | DIODE 11ES2    |         |
| D1306    | 8-719-200-82 | DIODE 11ES2    |         |
| D1316    | 8-719-200-82 | DIODE 11ES2    |         |
| D1317    | 8-719-200-82 | DIODE 11ES2    |         |
| D1318    | 8-719-200-82 | DIODE 11ES2    |         |
| D1319    | 8-719-200-82 | DIODE 11ES2    |         |
| D1321    | 8-719-987-63 | DIODE 1N4148M  |         |
| D1323    | 8-719-987-63 | DIODE 1N4148M  |         |
| D1324    | 8-719-987-63 | DIODE 1N4148M  |         |
| D1341    | 8-719-001-76 | DIODE UZL-12M3 |         |
| D1347    | 8-719-987-63 | DIODE 1N4148M  |         |
| D1368    | 8-719-200-82 | DIODE 11ES2    |         |

D1369 8-719-200-82 DIODE 11ES2

< FRONTEND >

|       |              |  |
|-------|--------------|--|
| FE301 | 1-465-006-11 | FRONT END (FM) (2 GANG) (*2, 3)            |
| FE301 | 1-693-090-21 | FRONT END (FM) (2 GANG) (*1, 7, 9, 10, 11) |
| FE301 | 1-463-857-21 | FRONT END (★:A)                            |
| FE301 | 1-465-396-11 | FRONT END (FM 3GANG) (*5)                  |
| FE351 | 1-236-463-11 | ENCAPSULATED COMPONENT (★:B)               |
| FE352 | 1-239-260-11 | ENCAPSULATED COMPONENT (EXCEPT ★:B)        |
| FE352 | 1-239-261-12 | ENCAPSULATED COMPONENT (★:B)               |

< IC >

|        |              |                   |
|--------|--------------|-------------------|
| IC301  | 8-759-821-45 | IC LA1851N        |
| IC501  | 8-759-820-91 | IC LC7218         |
| IC1001 | 8-759-634-51 | IC M5218AP        |
| IC1002 | 8-759-000-48 | IC MC14052BCP     |
| IC1003 | 8-759-634-51 | IC M5218AP        |
| IC1202 | 8-759-111-68 | IC uPC1237HA      |
| IC1302 | 8-759-231-53 | IC M5F7805        |
| IC1303 | 8-759-071-48 | IC M5F7807L       |
| IC1304 | 8-759-604-95 | IC M5F79M07       |
| IC1305 | 8-759-820-13 | IC L78MR06        |
| IC1306 | 8-759-231-58 | IC M5F7812L (★:C) |

< JACK >

|         |              |                                 |
|---------|--------------|---------------------------------|
| * J1202 | 1-569-130-11 | JACK, PIN 2P (SURROUND SPEAKER) |
|         |              | (EXCEPT *11)                    |

< IFT >

|        |              |                 |
|--------|--------------|-----------------|
| IFT301 | 1-404-713-11 | TRANSFORMER, IF |
|--------|--------------|-----------------|

< COIL >

|       |              |                                  |
|-------|--------------|----------------------------------|
| L301  | 1-410-686-11 | INDUCTOR 1mH (A27, *11)          |
| L301  | 1-407-500-00 | INDUCTOR 4.7mH (D209, *8, 9, 10) |
| L351  | 1-410-525-11 | INDUCTOR 220uH (★:B)             |
| L1301 | 1-408-117-00 | INDUCTOR 10uH (*6)               |
| L1302 | 1-408-117-00 | INDUCTOR 10uH (*6)               |

| Ref. No.       | Part No.     | Description                              | Remarks         |
|----------------|--------------|--|-----------------|
| < FILTER >     |              |  |                 |
| LPF301         | 1-235-164-00 | FILTER, LOW PASS                         |                 |
| LPF302         | 1-235-164-00 | FILTER, LOW PASS                         |                 |
| < TRANSISTOR > |              |  |                 |
| Q301           | 8-729-230-99 | TRANSISTOR 2SC2669-OY (★:A)              |                 |
| Q302           | 8-729-230-99 | TRANSISTOR 2SC2669-OY (★:A)              |                 |
| Q303           | 8-729-230-99 | TRANSISTOR 2SC2669-OY (EXCEPT *1)        |                 |
| Q304           | 8-729-230-99 | TRANSISTOR 2SC2669-OY                    |                 |
| Q305           | 8-729-900-80 | TRANSISTOR DTC114ES                      |                 |
| Q306           | 8-729-900-61 | TRANSISTOR DTA114ES                      |                 |
| Q307           | 8-729-900-80 | TRANSISTOR DTC114ES                      |                 |
| Q308           | 8-729-620-05 | TRANSISTOR 2SC2603-EF (*2, D259)         |                 |
| Q308           | 8-729-119-78 | TRANSISTOR 2SC2785-HFE (*1, D209)        |                 |
| Q309           | 8-729-620-05 | TRANSISTOR 2SC2603-EF (*2, D259)         |                 |
| Q309           | 8-729-119-78 | TRANSISTOR 2SC2785-HFE (*1, D209)        |                 |
| Q351           | 8-729-900-80 | TRANSISTOR DTC114ES (★:B)                |                 |
| Q352           | 8-729-119-78 | TRANSISTOR 2SC2785-HFE (*3, 5, 7)        |                 |
| Q352           | 8-729-620-05 | TRANSISTOR 2SC2603-EF (*9, 10)           |                 |
| Q353           | 8-729-119-76 | TRANSISTOR 2SA1175-HFE (★:B)             |                 |
| Q354           | 8-729-900-80 | TRANSISTOR DTC114ES (★:B)                |                 |
| Q355           | 8-729-900-80 | TRANSISTOR DTC114ES (★:B)                |                 |
| Q356           | 8-729-900-80 | TRANSISTOR DTC114ES (★:B)                |                 |
| Q501           | 8-729-900-80 | TRANSISTOR DTC114ES                      |                 |
| Q502           | 8-729-900-61 | TRANSISTOR DTA114ES                      |                 |
| Q521           | 8-729-202-67 | TRANSISTOR 2SK246-GR3                    |                 |
| Q522           | 8-729-201-84 | TRANSISTOR 2SC3112-B (A27, *11)          |                 |
| Q522           | 8-729-141-26 | TRANSISTOR 2SC3622A-LK (D209, *8, 9, 10) |                 |
| Q531           | 8-729-202-67 | TRANSISTOR 2SK246-GR3 (★:B)              |                 |
| Q532           | 8-729-141-26 | TRANSISTOR 2SC3622A-LK (★:B)             |                 |
| Q1004          | 8-729-900-36 | TRANSISTOR DTC124ES (*1)                 |                 |
| Q1005          | 8-729-119-76 | TRANSISTOR 2SA1175-HFE (*1)              |                 |
| Q1204          | 8-729-900-63 | TRANSISTOR DTA124ES                      |                 |
| Q1302          | 8-729-209-15 | TRANSISTOR 2SD2012                       |                 |
| Q1304          | 8-729-620-05 | TRANSISTOR 2SC2603-EF (*2, D259)         |                 |
| Q1304          | 8-729-119-78 | TRANSISTOR 2SC2785-HFE (*1, D209)        |                 |
| Q1305          | 8-729-620-05 | TRANSISTOR 2SC2603-EF (*2, D259)         |                 |
| Q1305          | 8-729-119-78 | TRANSISTOR 2SC2785-HFE (*1, D209)        |                 |
| < RESISTOR >   |              |  |                 |
| R301           | 1-249-401-11 | CARBON 47 5% 1/4W F                      |                 |
| R302           | 1-249-409-11 | CARBON 220 5% 1/4W F (*1)                |                 |
| R302           | 1-249-413-11 | CARBON 470 5% 1/4W F (*2, 3, 5)          |                 |
| R302           | 1-249-407-11 | CARBON 150 5% 1/4W F                     |                 |
|                |              |  | (*7, 9, 10, 11) |
| R302           | 1-249-405-11 | CARBON 100 5% 1/4W F (★:A)               |                 |
| R303           | 1-249-411-11 | CARBON 330 5% 1/4W (★:A)                 |                 |
| R304           | 1-249-432-11 | CARBON 18K 5% 1/4W (★:A)                 |                 |
| R305           | 1-249-411-11 | CARBON 330 5% 1/4W (★:A)                 |                 |
| R306           | 1-249-434-11 | CARBON 27K 5% 1/4W (★:A)                 |                 |

| Ref. No. | Part No.     | Description                    | Remarks              |
|----------|--------------|--------------------------------|----------------------|
| R307     | 1-249-414-11 | CARBON 560 5% 1/4W F (★:A)     |                      |
| R308     | 1-249-411-11 | CARBON 330 5% 1/4W             |                      |
| R309     | 1-249-432-11 | CARBON 18K 5% 1/4W (EXCEPT *1) |                      |
| R310     | 1-249-411-11 | CARBON 330 5% 1/4W             |                      |
| R311     | 1-249-434-11 | CARBON 27K 5% 1/4W (EXCEPT *1) |                      |
| R311     | 1-247-891-00 | CARBON 330K 5% 1/4W (*1)       |                      |
| R312     | 1-249-414-11 | CARBON 560 5% 1/4W F           |                      |
|          |              |                                | (*2, 3, 5, 7, 9, 11) |
| R312     | 1-249-416-11 | CARBON 820 5% 1/4W F (★:A)     |                      |
| R313     | 1-249-405-11 | CARBON 100 5% 1/4W F           |                      |
| R314     | 1-249-437-11 | CARBON 47K 5% 1/4W (★:A)       |                      |
| R315     | 1-249-404-00 | CARBON 82 5% 1/4W              |                      |
| R315     | 1-249-435-11 | CARBON 33K 5% 1/4W (★:A)       |                      |
| R316     | 1-249-429-11 | CARBON 10K 5% 1/4W             |                      |
| R317     | 1-249-417-11 | CARBON 1K 5% 1/4W F            |                      |
| R318     | 1-249-435-11 | CARBON 33K 5% 1/4W             |                      |
| R319     | 1-249-428-11 | CARBON 8.2K 5% 1/4W F          |                      |
| R320     | 1-249-432-11 | CARBON 18K 5% 1/4W             |                      |
| R321     | 1-249-423-11 | CARBON 3.3K 5% 1/4W F          |                      |
| R322     | 1-249-429-11 | CARBON 10K 5% 1/4W             |                      |
| R323     | 1-249-418-11 | CARBON 1.2K 5% 1/4W F          |                      |
|          |              |                                | (EXCEPT ★:A)         |
| R323     | 1-249-423-11 | CARBON 3.3K 5% 1/4W F (*4, 6)  |                      |
| R323     | 1-249-417-11 | CARBON 1K 5% 1/4W F (*8)       |                      |
| R324     | 1-249-429-11 | CARBON 10K 5% 1/4W             |                      |
| R325     | 1-249-429-11 | CARBON 10K 5% 1/4W             |                      |
| R326     | 1-249-409-11 | CARBON 220 5% 1/4W F           |                      |
| R327     | 1-249-437-11 | CARBON 47K 5% 1/4W             |                      |
| R328     | 1-249-437-11 | CARBON 47K 5% 1/4W             |                      |
| R331     | 1-247-899-11 | CARBON 680K 5% 1/4W            |                      |
| R332     | 1-247-899-11 | CARBON 680K 5% 1/4W            |                      |
| R333     | 1-249-421-11 | CARBON 2.2K 5% 1/4W F          |                      |
| R334     | 1-249-421-11 | CARBON 2.2K 5% 1/4W F          |                      |
| R335     | 1-249-420-11 | CARBON 1.8K 5% 1/4W F          |                      |
| R336     | 1-249-420-11 | CARBON 1.8K 5% 1/4W F          |                      |
| R337     | 1-249-426-11 | CARBON 5.6K 5% 1/4W            |                      |
| R338     | 1-249-426-11 | CARBON 5.6K 5% 1/4W            |                      |
| R351     | 1-249-433-11 | CARBON 22K 5% 1/4W (★:B)       |                      |
| R352     | 1-249-437-11 | CARBON 47K 5% 1/4W (★:B)       |                      |
| R353     | 1-247-903-00 | CARBON 1M 5% 1/4W (★:B)        |                      |
| R354     | 1-249-441-11 | CARBON 100K 5% 1/4W (★:B)      |                      |
| R355     | 1-249-433-11 | CARBON 22K 5% 1/4W (★:B)       |                      |
| R356     | 1-249-421-11 | CARBON 2.2K 5% 1/4W F (★:B)    |                      |
| R361     | 1-249-437-11 | CARBON 47K 5% 1/4W             |                      |
| R362     | 1-249-437-11 | CARBON 47K 5% 1/4W             |                      |
| R363     | 1-249-425-11 | CARBON 4.7K 5% 1/4W F (★:B)    |                      |
| R364     | 1-249-425-11 | CARBON 4.7K 5% 1/4W F (★:B)    |                      |
| R365     | 1-249-429-11 | CARBON 10K 5% 1/4W             |                      |
|          |              |                                | (D209, *8, 9, 10)    |
| R366     | 1-249-413-11 | CARBON 470 5% 1/4W F (★:B)     |                      |
| R367     | 1-249-434-11 | CARBON 27K 5% 1/4W (★:B)       |                      |
| R368     | 1-249-433-11 | CARBON 22K 5% 1/4W (★:B)       |                      |
| R370     | 1-249-423-11 | CARBON 3.3K 5% 1/4W F (★:A)    |                      |

**MAIN**

**SURROUND**

| Ref. No. | Part No.     | Description                         | Remarks |
|----------|--------------|-------------------------------------|---------|
| R501     | 1-249-417-11 | CARBON 1K 5% 1/4W F                 |         |
| R502     | 1-249-417-11 | CARBON 1K 5% 1/4W F                 |         |
| R503     | 1-249-417-11 | CARBON 1K 5% 1/4W F                 |         |
| R504     | 1-249-417-11 | CARBON 1K 5% 1/4W F                 |         |
| R505     | 1-249-429-11 | CARBON 10K 5% 1/4W                  |         |
| R506     | 1-249-417-11 | CARBON 1K 5% 1/4W F                 |         |
| R510     | 1-249-401-11 | CARBON 47 5% 1/4W F                 |         |
| R511     | 1-249-429-11 | CARBON 10K 5% 1/4W                  |         |
| R512     | 1-249-425-11 | CARBON 4.7K 5% 1/4W F               |         |
| R513     | 1-249-417-11 | CARBON 1K 5% 1/4W F                 |         |
| R514     | 1-249-429-11 | CARBON 10K 5% 1/4W                  |         |
| R515     | 1-249-417-11 | CARBON 1K 5% 1/4W F                 |         |
| R521     | 1-249-423-11 | CARBON 3.3K 5% 1/4W F               |         |
| R522     | 1-249-425-11 | CARBON 4.7K 5% 1/4W F               |         |
| R523     | 1-249-414-11 | CARBON 560 5% 1/4W F                |         |
| R524     | 1-249-417-11 | CARBON 1K 5% 1/4W F                 |         |
| R525     | 1-249-410-11 | CARBON 270 5% 1/4W F                |         |
| R526     | 1-249-421-11 | CARBON 2.2K 5% 1/4W F               |         |
| R527     | 1-249-425-11 | CARBON 4.7K 5% 1/4W F               |         |
| R528     | 1-249-425-11 | CARBON 4.7K 5% 1/4W F               |         |
| R529     | 1-249-405-11 | CARBON 100 5% 1/4W F                |         |
| R530     | 1-249-405-11 | CARBON 100 5% 1/4W F                |         |
| R531     | 1-249-423-11 | CARBON 3.3K 5% 1/4W F (★:B)         |         |
| R532     | 1-249-433-11 | CARBON 22K 5% 1/4W (★:B)            |         |
| R533     | 1-249-414-11 | CARBON 560 5% 1/4W F (★:B)          |         |
| R534     | 1-249-417-11 | CARBON 1K 5% 1/4W F (★:B)           |         |
| R535     | 1-249-410-11 | CARBON 270 5% 1/4W F (★:B)          |         |
| R536     | 1-249-421-11 | CARBON 2.2K 5% 1/4W F (★:B)         |         |
| R537     | 1-249-425-11 | CARBON 4.7K 5% 1/4W F (★:B)         |         |
| R538     | 1-249-405-11 | CARBON 100 5% 1/4W F (★:B)          |         |
| R613     | 1-249-441-11 | CARBON 100K 5% 1/4W (*9, 10, 11)    |         |
| R631     | 1-249-441-11 | CARBON 100K 5% 1/4W (A27, D209, *8) |         |
| R1001    | 1-249-417-11 | CARBON 1K 5% 1/4W F                 |         |
| R1002    | 1-249-441-11 | CARBON 100K 5% 1/4W                 |         |
| R1003    | 1-249-416-11 | CARBON 820 5% 1/4W F                |         |
| R1004    | 1-247-897-11 | CARBON 560K 5% 1/4W                 |         |
| R1005    | 1-249-437-11 | CARBON 47K 5% 1/4W                  |         |
| R1006    | 1-249-409-11 | CARBON 220 5% 1/4W F                |         |
| R1007    | 1-249-441-11 | CARBON 100K 5% 1/4W                 |         |
| R1008    | 1-249-409-11 | CARBON 220 5% 1/4W F                |         |
| R1010    | 1-249-417-11 | CARBON 1K 5% 1/4W F                 |         |
| R1012    | 1-249-417-11 | CARBON 1K 5% 1/4W F                 |         |
| R1013    | 1-249-441-11 | CARBON 100K 5% 1/4W                 |         |
| R1014    | 1-249-437-11 | CARBON 47K 5% 1/4W                  |         |
| R1015    | 1-249-437-11 | CARBON 47K 5% 1/4W                  |         |
| R1021    | 1-249-437-11 | CARBON 47K 5% 1/4W                  |         |
| R1022    | 1-249-432-11 | CARBON 18K 5% 1/4W (A27)            |         |

| Ref. No. | Part No.     | Description                   | Remarks |
|----------|--------------|-------------------------------|---------|
| R1023    | 1-249-437-11 | CARBON 47K 5% 1/4W            |         |
| R1024    | 1-249-417-11 | CARBON 1K 5% 1/4W F           |         |
| R1029    | 1-249-433-11 | CARBON 22K 5% 1/4W (*1)       |         |
| R1030    | 1-249-433-11 | CARBON 22K 5% 1/4W (*1)       |         |
| R1031    | 1-249-433-11 | CARBON 22K 5% 1/4W (*1)       |         |
| R1035    | 1-249-415-11 | CARBON 680 5% 1/4W F          |         |
| R1037    | 1-249-421-11 | CARBON 2.2K 5% 1/4W F         |         |
| R1051    | 1-249-417-11 | CARBON 1K 5% 1/4W F           |         |
| R1052    | 1-249-441-11 | CARBON 100K 5% 1/4W           |         |
| R1053    | 1-249-416-11 | CARBON 820 5% 1/4W F          |         |
| R1054    | 1-247-897-11 | CARBON 560K 5% 1/4W           |         |
| R1055    | 1-249-437-11 | CARBON 47K 5% 1/4W            |         |
| R1056    | 1-249-409-11 | CARBON 220 5% 1/4W F          |         |
| R1057    | 1-249-441-11 | CARBON 100K 5% 1/4W           |         |
| R1058    | 1-249-409-11 | CARBON 220 5% 1/4W F          |         |
| R1060    | 1-249-417-11 | CARBON 1K 5% 1/4W F           |         |
| R1062    | 1-249-417-11 | CARBON 1K 5% 1/4W F           |         |
| R1063    | 1-249-441-11 | CARBON 100K 5% 1/4W           |         |
| R1065    | 1-249-415-11 | CARBON 680 5% 1/4W F          |         |
| R1071    | 1-249-437-11 | CARBON 47K 5% 1/4W            |         |
| R1072    | 1-249-432-11 | CARBON 18K 5% 1/4W (A27)      |         |
| R1073    | 1-249-437-11 | CARBON 47K 5% 1/4W            |         |
| R1074    | 1-249-417-11 | CARBON 1K 5% 1/4W F           |         |
| R1095    | 1-249-433-11 | CARBON 22K 5% 1/4W (A27, *11) |         |
| R1222    | 1-249-415-11 | CARBON 680 5% 1/4W F          |         |
| R1223    | 1-249-415-11 | CARBON 680 5% 1/4W F          |         |
| R1226    | 1-215-890-11 | METAL OXIDE 470 5% 2W F       |         |
| R1233    | 1-249-433-11 | CARBON 22K 5% 1/4W            |         |
| R1234    | 1-249-433-11 | CARBON 22K 5% 1/4W            |         |
| R1235    | 1-249-437-11 | CARBON 47K 5% 1/4W            |         |
| R1236    | 1-249-441-11 | CARBON 100K 5% 1/4W           |         |
| R1237    | 1-249-429-11 | CARBON 10K 5% 1/4W            |         |
| R1240    | 1-249-438-11 | CARBON 56K 5% 1/4W            |         |
| R1241    | 1-249-385-11 | CARBON 2.2 5% 1/6W F (★:A)    |         |
| R1242    | 1-249-385-11 | CARBON 2.2 5% 1/6W F (★:A)    |         |
| R1243    | 1-249-385-11 | CARBON 2.2 5% 1/6W F (★:A)    |         |
| R1244    | 1-249-385-11 | CARBON 2.2 5% 1/6W F (★:A)    |         |
| R1272    | 1-249-415-11 | CARBON 680 5% 1/4W F          |         |
| R1273    | 1-249-415-11 | CARBON 680 5% 1/4W F          |         |
| R1290    | 1-249-437-11 | CARBON 47K 5% 1/4W            |         |
| R1301    | 1-249-429-11 | CARBON 10K 5% 1/4W            |         |
| R1302    | 1-249-429-11 | CARBON 10K 5% 1/4W            |         |
| R1306    | 1-249-433-11 | CARBON 22K 5% 1/4W            |         |
| R1309    | 1-249-433-11 | CARBON 22K 5% 1/4W            |         |
| R1321    | 1-249-417-11 | CARBON 1K 5% 1/4W F           |         |
| R1322    | 1-249-429-11 | CARBON 10K 5% 1/4W            |         |
| R1345    | 1-249-421-11 | CARBON 2.2K 5% 1/4W F         |         |
| R1346    | 1-249-425-11 | CARBON 4.7K 5% 1/4W F (★:C)   |         |
| R1347    | 1-249-417-11 | CARBON 1K 5% 1/4W F           |         |

|             |                 |              |             |                         |            |                 |           |
|-------------|-----------------|--------------|-------------|-------------------------|------------|-----------------|-----------|
| <b>MAIN</b> | <b>SURROUND</b> | <b>PANEL</b> | <b>H. P</b> | <b>POWER SUPPLY (B)</b> | <b>MIC</b> | <b>STAND-BY</b> | <b>VR</b> |
|-------------|-----------------|--------------|-------------|-------------------------|------------|-----------------|-----------|

| Ref. No.       | Part No.                             | Description   | Remarks |
|----------------|--------------------------------------|---|---------|
|                |                                      | < VARIABLE RESISTOR >                                       |         |
| RV301          | 1-238-601-11                         | RES, ADJ, CARBON 22K  |         |
| RV302          | 1-238-601-11                         | RES, ADJ, CARBON 22K  |         |
|                |                                      | < RELAY >   |         |
| RY1201         | 1-515-533-11                         | RELAY   |         |
| RY1201         | 1-515-920-11                         | RELAY (24V) (D209, *8)                                      |         |
|                |                                      | < TRANSFORMER >   |         |
| T301           | 1-404-807-11                         | TRANSFORMER, DISCRIMINATOR                                  |         |
| T302           | 1-235-126-00                         | ENCAPSULATED COMPONENT (★:A)                                |         |
|                |                                      | < TERMINAL >  |         |
| TM301          | 1-537-264-11                         | TERMINAL BOARD (ANTENNA) (A27, *3, 10, 11)                  |         |
| * TM301        | 1-537-288-11                         | TERMINAL BOARD, ANTENNA (PAL) (ANTENNA) (*4, 5, 6, 7, 8, 9) |         |
|                |                                      | < TEST PIN >  |         |
| * TP1          | 1-560-060-00                         | PIN, CONNECTOR 2P   |         |
|                |                                      | < VIBRATOR >  |         |
| XT501          | 1-577-126-21                         | VIBRATOR, CRYSTAL   |         |
| XT501          | 1-579-383-11                         | VIBRATOR, CRYSTAL   |         |
| *****          |                                      |   |         |
| * A-4356-640-A | PANEL BOARD, COMPLETE (*1)<br>*****  |   |         |
| * A-4356-736-A | PANEL BOARD, COMPLETE (*2)<br>*****  |   |         |
| * A-4356-623-A | PANEL BOARD, COMPLETE (*3)<br>*****  |   |         |
| * A-4356-930-A | PANEL BOARD, COMPLETE (*4)<br>*****  |   |         |
| * A-4360-822-A | PANEL BOARD, COMPLETE (*5)<br>*****  |   |         |
| * A-4356-924-A | PANEL BOARD, COMPLETE (*6)<br>*****  |   |         |
| * A-4356-608-A | PANEL BOARD, COMPLETE (*7)<br>*****  |   |         |
| * A-4360-541-A | PANEL BOARD, COMPLETE (*8)<br>*****  |   |         |
| * A-4360-531-A | PANEL BOARD, COMPLETE (*9)<br>*****  |   |         |
| * A-4360-520-A | PANEL BOARD, COMPLETE (*10)<br>***** |   |         |
| * A-4360-509-A | PANEL BOARD, COMPLETE (*11)<br>***** |   |         |
| * 1-646-477-11 | H. P BOARD<br>*****                  |   |         |

| Ref. No. | Part No.     | Description                     | Remarks |
|----------|--------------|---------------------------------|---------|
| *        | 1-646-478-11 | POWER SUPPLY (B) BOARD<br>***** |         |
| *        | 1-646-479-11 | MIC BOARD (A27)<br>*****        |         |
| *        | 1-646-480-11 | STAND-BY SW BOARD<br>*****      |         |
| *        | 1-646-497-11 | VR BOARD<br>*****               |         |
| *        | 1-533-213-11 | HOLDER, FUSE (*2, D259)         |         |
| *        | 1-533-213-31 | HOLDER, FUSE (*2, D259)         |         |
|          | 1-533-217-31 | HOLDER, FUSE (D209)             |         |
| *        | 1-533-293-11 | FUSE HOLDER (*2, D259)          |         |
| *        | 4-942-301-01 | HOLDER, FL TUBE                 |         |
| *        | 4-949-935-31 | CUSHION (FL) (*2, D259)         |         |
|          |              | < CAPACITOR >                   |         |
| C603     | 1-136-169-00 | FILM 0.22uF                     | 5% 50V  |
| C604     | 1-164-159-11 | CERAMIC 0.1uF                   | 50V     |
| C605     | 1-125-486-11 | DOUBLE LAYERS 0.22F             | 5.5V    |
| C606     | 1-164-159-11 | CERAMIC 0.1uF                   | 50V     |
| C607     | 1-124-907-11 | ELECT 10uF                      | 20% 50V |
| C608     | 1-161-379-00 | CERAMIC 0.01uF                  | 20% 25V |
| C609     | 1-161-379-00 | CERAMIC 0.01uF                  | 20% 25V |
| C610     | 1-162-286-31 | CERAMIC 220PF                   | 10% 50V |
| C650     | 1-124-907-11 | ELECT 10uF                      | 20% 50V |
| C1101    | 1-124-257-00 | ELECT 2.2uF                     | 20% 50V |
| C1102    | 1-124-589-11 | ELECT 47uF                      | 20% 16V |
| C1103    | 1-162-282-31 | CERAMIC 100PF                   | 10% 50V |
| C1104    | 1-124-257-00 | ELECT 2.2uF                     | 20% 50V |
| C1105    | 1-124-464-11 | ELECT 0.22uF                    | 20% 50V |
| C1106    | 1-136-161-00 | FILM 0.047uF                    | 5% 50V  |
| C1107    | 1-136-155-00 | FILM 0.015uF                    | 5% 50V  |
| C1108    | 1-136-155-00 | FILM 0.015uF                    | 5% 50V  |
| C1109    | 1-137-437-11 | FILM 0.0056uF                   | 5% 50V  |
| C1110    | 1-161-327-00 | CERAMIC 0.0033uF                | 20% 16V |
| C1111    | 1-136-155-00 | FILM 0.015uF                    | 5% 50V  |
| C1112    | 1-136-157-00 | FILM 0.022uF                    | 5% 50V  |
| C1113    | 1-136-153-00 | FILM 0.01uF                     | 5% 50V  |
| C1114    | 1-161-377-00 | CERAMIC 0.0047uF                | 20% 16V |
| C1115    | 1-124-257-00 | ELECT 2.2uF                     | 20% 50V |
| C1120    | 1-161-379-00 | CERAMIC 0.01uF                  | 20% 25V |
| C1121    | 1-161-379-00 | CERAMIC 0.01uF                  | 20% 25V |
| C1123    | 1-162-286-31 | CERAMIC 220PF                   | 10% 50V |
| C1131    | 1-162-215-31 | CERAMIC 47PF                    | 5% 50V  |
| C1132    | 1-162-215-31 | CERAMIC 47PF                    | 5% 50V  |
| C1151    | 1-124-257-00 | ELECT 2.2uF                     | 20% 50V |
| C1152    | 1-124-589-11 | ELECT 47uF                      | 20% 16V |
| C1153    | 1-162-282-31 | CERAMIC 100PF                   | 10% 50V |
| C1154    | 1-124-257-00 | ELECT 2.2uF                     | 20% 50V |

|       |      |                  |     |          |    |
|-------|------|------------------|-----|----------|----|
| PANEL | H. P | POWER SUPPLY (B) | MIC | STAND-BY | VR |
|-------|------|------------------|-----|----------|----|

| Ref. No. | Part No.     | Description                     | Remarks |
|----------|--------------|---------------------------------|---------|
| C1155    | 1-124-464-11 | ELECT 0.22uF 20% 50V            |         |
| C1156    | 1-136-161-00 | FILM 0.047uF 5% 50V             |         |
| C1157    | 1-136-155-00 | FILM 0.015uF 5% 50V             |         |
| C1158    | 1-136-155-00 | FILM 0.015uF 5% 50V             |         |
| C1159    | 1-137-437-11 | FILM 0.0056uF 5% 50V            |         |
| C1160    | 1-161-327-00 | CERAMIC 0.0033uF 20% 16V        |         |
| C1161    | 1-136-155-00 | FILM 0.015uF 5% 50V             |         |
| C1162    | 1-136-157-00 | FILM 0.022uF 5% 50V             |         |
| C1163    | 1-136-153-00 | FILM 0.01uF 5% 50V              |         |
| C1164    | 1-161-377-00 | CERAMIC 0.0047uF 20% 16V        |         |
| C1165    | 1-124-257-00 | ELECT 2.2uF 20% 50V             |         |
| C1173    | 1-162-286-31 | CERAMIC 220PF 10% 50V           |         |
| C1181    | 1-162-215-31 | CERAMIC 47PF 5% 50V             |         |
| C1182    | 1-162-215-31 | CERAMIC 47PF 5% 50V             |         |
| C1198    | 1-161-379-00 | CERAMIC 0.01uF 20% 25V          |         |
| C1237    | 1-162-282-31 | CERAMIC 100PF 10% 50V (★:A)     |         |
| C1238    | 1-162-282-31 | CERAMIC 100PF 10% 50V (★:A)     |         |
| C1401    | 1-162-294-31 | CERAMIC 0.001uF 10% 50V (A27)   |         |
| C1402    | 1-124-916-11 | ELECT 22uF 20% 63V (A27)        |         |
| C1403    | 1-124-916-11 | ELECT 22uF 20% 63V (A27)        |         |
| C1406    | 1-124-443-00 | ELECT 100uF 20% 10V (*2)        |         |
| C1408    | 1-126-163-11 | ELECT 4.7uF 20% 50V (A27)       |         |
| C1409    | 1-161-379-00 | CERAMIC 0.01uF 20% 25V (A27)    |         |
| C1410    | 1-126-163-11 | ELECT 4.7uF 20% 50V (A27, D259) |         |
| C1411    | 1-124-443-00 | ELECT 100uF 20% 10V (*1)        |         |
| C1601    | 1-124-925-11 | ELECT 2.2uF 20% 100V (A27)      |         |
| C1602    | 1-124-463-00 | ELECT 0.1uF 20% 50V (A27)       |         |
| C1603    | 1-124-925-11 | ELECT 2.2uF 20% 100V (A27)      |         |
| C1604    | 1-162-294-31 | CERAMIC 0.001uF 10% 50V (A27)   |         |
| C1605    | 1-162-215-31 | CERAMIC 47PF 5% 50V (A27)       |         |
| C1606    | 1-162-282-31 | CERAMIC 100PF 10% 50V (A27)     |         |
| C1607    | 1-162-215-31 | CERAMIC 47PF 5% 50V (A27)       |         |
| C1608    | 1-124-589-11 | ELECT 47uF 20% 16V (A27)        |         |
| C1609    | 1-124-589-11 | ELECT 47uF 20% 16V (A27)        |         |
| C1610    | 1-162-282-31 | CERAMIC 100PF 10% 50V (A27)     |         |

< CONNECTOR >

|         |              |                       |
|---------|--------------|-----------------------|
| * CN601 | 1-568-830-11 | SOCKET, CONNECTOR 11P |
| CN1101  | 1-568-802-11 | SOCKET, CONNECTOR 19P |

< DIODE >

|      |              |                 |
|------|--------------|-----------------|
| D601 | 8-719-987-63 | DIODE 1N4148M   |
| D602 | 8-719-010-26 | DIODE UZ-3.9BSB |
| D603 | 8-719-987-63 | DIODE 1N4148M   |
| D604 | 8-719-987-63 | DIODE 1N4148M   |
| D605 | 8-719-987-63 | DIODE 1N4148M   |
| D606 | 8-719-933-48 | DIODE HZS7B3L   |
| D611 | 8-719-987-63 | DIODE 1N4148M   |
| D612 | 8-719-987-63 | DIODE 1N4148M   |
| D613 | 8-719-987-63 | DIODE 1N4148M   |

| Ref. No. | Part No.     | Description                  | Remarks |
|----------|--------------|------------------------------|---------|
| D614     | 8-719-987-63 | DIODE 1N4148M                |         |
| D615     | 8-719-987-63 | DIODE 1N4148M                |         |
| D616     | 8-719-987-63 | DIODE 1N4148M                |         |
| D622     | 8-719-987-63 | DIODE 1N4148M (*1, 4, 8, 11) |         |
| D623     | 8-719-987-63 | DIODE 1N4148M (A27, *11)     |         |
| D624     | 8-719-987-63 | DIODE 1N4148M (*5)           |         |
| D625     | 8-719-987-63 | DIODE 1N4148M                |         |
| D626     | 8-719-987-63 | DIODE 1N4148M                |         |
| D629     | 8-719-987-63 | DIODE 1N4148M                |         |
| D641     | 8-719-200-82 | DIODE 11ES2                  |         |
| D1130    | 8-719-301-37 | LED SEL2210S-CD              |         |
| D1131    | 8-719-301-37 | LED SEL2210S-CD              |         |
| D1132    | 8-719-301-37 | LED SEL2210S-CD              |         |
| D1133    | 8-719-301-37 | LED SEL2210S-CD              |         |
| D1134    | 8-719-301-37 | LED SEL2210S-CD              |         |
| D1141    | 8-719-301-37 | LED SEL2210S-CD              |         |
| D1145    | 8-719-313-69 | DIODE SEL3210S-CD            |         |
| D1151    | 8-719-987-63 | DIODE 1N4148M                |         |
| D1152    | 8-719-987-63 | DIODE 1N4148M                |         |
| D1153    | 8-719-987-63 | DIODE 1N4148M                |         |
| D1154    | 8-719-987-63 | DIODE 1N4148M                |         |

< FILTER >

|        |              |                                   |
|--------|--------------|-----------------------------------|
| FL601  | 1-519-732-11 | INDICATOR TUBE, FLUORESCENT       |
| FL1401 | 1-519-648-21 | INDICATOR TUBE, FLUORESCENT (A27) |

< IC >

|        |              |                    |
|--------|--------------|--------------------|
| IC601  | 8-759-096-99 | IC uPD75212ACW-A47 |
| IC602  | 8-749-922-36 | IC GP1U50XB        |
| IC1101 | 8-759-634-51 | IC M5218AP         |
| IC1102 | 8-759-634-51 | IC M5218AP         |
| IC1103 | 8-759-820-62 | IC LB1639          |
| IC1104 | 8-759-916-12 | IC TC74HC00P       |
| IC1401 | 8-759-065-87 | IC XR-1096 (A27)   |
| IC1601 | 8-759-634-51 | IC M5218AP (A27)   |

< JACK >

|         |              |                                    |
|---------|--------------|------------------------------------|
| J601    | 1-691-002-11 | JACK, LARGE TYPE (HEADPHONES) (*2) |
| J601    | 1-573-151-11 | JACK, LARGE TYPE (HEADPHONES) (*1) |
| * J1201 | 1-691-003-11 | JACK, LARGE TYPE (MIC)             |

< COIL >

|      |              |                |
|------|--------------|----------------|
| L601 | 1-410-521-11 | INDUCTOR 100uH |
|------|--------------|----------------|

< TRANSISTOR >

|       |              |                                   |
|-------|--------------|-----------------------------------|
| Q601  | 8-729-620-05 | TRANSISTOR 2SC2603-EF (*2, D259)  |
| Q601  | 8-729-119-78 | TRANSISTOR 2SC2785-HFE (*1, D209) |
| Q602  | 8-729-900-80 | TRANSISTOR DTC114ES               |
| Q603  | 8-729-900-80 | TRANSISTOR DTC114ES               |
| Q1101 | 8-729-620-05 | TRANSISTOR 2SC2603-EF (*2, D259)  |

|       |      |                  |     |          |    |
|-------|------|------------------|-----|----------|----|
| PANEL | H. P | POWER SUPPLY (B) | MIC | STAND-BY | VR |
|-------|------|------------------|-----|----------|----|

| Ref. No. | Part No.     | Description  | Remarks                            | Ref. No. | Part No.     | Description | Remarks              |
|----------|--------------|--------------|------------------------------------|----------|--------------|-------------|----------------------|
| Q1101    | 8-729-119-78 | TRANSISTOR   | 2SC2785-HFE (*1, D209)             | R1114    | 1-249-429-11 | CARBON      | 10K 5% 1/4W          |
| Q1102    | 8-729-141-26 | TRANSISTOR   | 2SC3622A-LK                        | R1115    | 1-249-429-11 | CARBON      | 10K 5% 1/4W          |
| Q1121    | 8-729-900-36 | TRANSISTOR   | DTC124ES                           | R1116    | 1-247-852-11 | CARBON      | 7.5K 5% 1/4W         |
| Q1122    | 8-729-119-76 | TRANSISTOR   | 2SA1175-HFE                        | R1117    | 1-247-852-11 | CARBON      | 7.5K 5% 1/4W         |
| Q1136    | 8-729-900-36 | TRANSISTOR   | DTC124ES                           | R1118    | 1-249-425-11 | CARBON      | 4.7K 5% 1/4W F       |
| Q1138    | 8-729-900-36 | TRANSISTOR   | DTC124ES                           | R1119    | 1-249-425-11 | CARBON      | 4.7K 5% 1/4W F       |
| Q1141    | 8-729-900-63 | TRANSISTOR   | DTA124ES                           | R1120    | 1-249-423-11 | CARBON      | 3.3K 5% 1/4W F       |
| Q1142    | 8-729-900-63 | TRANSISTOR   | DTA124ES                           | R1121    | 1-249-423-11 | CARBON      | 3.3K 5% 1/4W F       |
| Q1143    | 8-729-900-80 | TRANSISTOR   | DTC114ES                           | R1122    | 1-247-887-00 | CARBON      | 220K 5% 1/4W         |
| Q1144    | 8-729-900-80 | TRANSISTOR   | DTC114ES                           | R1123    | 1-249-421-11 | CARBON      | 2.2K 5% 1/4W F       |
| Q1145    | 8-729-900-61 | TRANSISTOR   | DTA114ES                           | R1124    | 1-249-425-11 | CARBON      | 4.7K 5% 1/4W F       |
| Q1151    | 8-729-620-05 | TRANSISTOR   | 2SC2603-EF (*2, D259)              | R1125    | 1-249-433-11 | CARBON      | 22K 5% 1/4W          |
| Q1151    | 8-729-119-78 | TRANSISTOR   | 2SC2785-HFE (*1, D209)             | R1126    | 1-249-423-11 | CARBON      | 3.3K 5% 1/4W F (A27) |
| Q1152    | 8-729-141-26 | TRANSISTOR   | 2SC3622A-LK                        | R1127    | 1-249-436-11 | CARBON      | 39K 5% 1/4W (A27)    |
|          |              |              |                                    | R1130    | 1-249-412-11 | CARBON      | 390 5% 1/4W F        |
|          |              | < RESISTOR > |                                    | R1132    | 1-249-412-11 | CARBON      | 390 5% 1/4W F        |
| R601     | 1-249-429-11 | CARBON       | 10K 5% 1/4W                        | R1133    | 1-249-412-11 | CARBON      | 390 5% 1/4W F        |
| R602     | 1-249-429-11 | CARBON       | 10K 5% 1/4W                        | R1135    | 1-249-433-11 | CARBON      | 22K 5% 1/4W          |
| R603     | 1-249-423-11 | CARBON       | 3.3K 5% 1/4W F                     | R1142    | 1-249-412-11 | CARBON      | 390 5% 1/4W F        |
| R604     | 1-249-437-11 | CARBON       | 47K 5% 1/4W (*4, 8)                | R1143    | 1-249-433-11 | CARBON      | 22K 5% 1/4W          |
| R605     | 1-249-433-11 | CARBON       | 22K 5% 1/4W                        | R1145    | 1-249-412-11 | CARBON      | 390 5% 1/4W F        |
| R606     | 1-249-433-11 | CARBON       | 22K 5% 1/4W                        | R1149    | 1-249-429-11 | CARBON      | 10K 5% 1/4W          |
| R607     | 1-249-439-11 | CARBON       | 68K 5% 1/4W                        | R1151    | 1-249-441-11 | CARBON      | 100K 5% 1/4W         |
| R608     | 1-249-417-11 | CARBON       | 1K 5% 1/4W F                       | R1152    | 1-249-417-11 | CARBON      | 1K 5% 1/4W F         |
| R609     | 1-249-405-11 | CARBON       | 100 5% 1/4W F                      | R1154    | 1-249-441-11 | CARBON      | 100K 5% 1/4W         |
| R610     | 1-249-429-11 | CARBON       | 10K 5% 1/4W                        | R1155    | 1-249-433-11 | CARBON      | 22K 5% 1/4W          |
| R611     | 1-249-437-11 | CARBON       | 47K 5% 1/4W                        | R1156    | 1-249-424-11 | CARBON      | 3.9K 5% 1/4W F       |
| R612     | 1-249-417-11 | CARBON       | 1K 5% 1/4W F                       | R1157    | 1-249-441-11 | CARBON      | 100K 5% 1/4W         |
| R613     | 1-249-425-11 | CARBON       | 4.7K 5% 1/4W F                     | R1158    | 1-249-427-11 | CARBON      | 6.8K 5% 1/4W F       |
| R614     | 1-249-393-11 | CARBON       | 10 5% 1/4W F                       | R1159    | 1-249-412-11 | CARBON      | 390 5% 1/4W F        |
| R621     | 1-249-433-11 | CARBON       | 22K 5% 1/4W                        | R1160    | 1-249-431-11 | CARBON      | 15K 5% 1/4W          |
| R622     | 1-249-433-11 | CARBON       | 22K 5% 1/4W                        | R1161    | 1-249-439-11 | CARBON      | 68K 5% 1/4W          |
| R623     | 1-249-433-11 | CARBON       | 22K 5% 1/4W                        | R1162    | 1-249-433-11 | CARBON      | 22K 5% 1/4W          |
| R624     | 1-249-433-11 | CARBON       | 22K 5% 1/4W                        | R1163    | 1-249-431-11 | CARBON      | 15K 5% 1/4W          |
| R625     | 1-249-417-11 | CARBON       | 1K 5% 1/4W F (*1, D259)            | R1164    | 1-249-429-11 | CARBON      | 10K 5% 1/4W          |
| R642     | 1-249-409-11 | CARBON       | 220 5% 1/4W F                      | R1165    | 1-249-429-11 | CARBON      | 10K 5% 1/4W          |
| R643     | 1-249-417-11 | CARBON       | 1K 5% 1/4W F (*2, D209, 8, 10, 11) | R1166    | 1-247-852-11 | CARBON      | 7.5K 5% 1/4W         |
| R1065    | 1-249-409-11 | CARBON       | 220 5% 1/4W F (*2)                 | R1167    | 1-247-852-11 | CARBON      | 7.5K 5% 1/4W         |
| R1101    | 1-249-441-11 | CARBON       | 100K 5% 1/4W                       | R1168    | 1-249-425-11 | CARBON      | 4.7K 5% 1/4W F       |
| R1102    | 1-249-417-11 | CARBON       | 1K 5% 1/4W F                       | R1169    | 1-249-425-11 | CARBON      | 4.7K 5% 1/4W F       |
| R1103    | 1-249-431-11 | CARBON       | 15K 5% 1/4W                        | R1170    | 1-249-423-11 | CARBON      | 3.3K 5% 1/4W F       |
| R1104    | 1-249-441-11 | CARBON       | 100K 5% 1/4W                       | R1171    | 1-249-423-11 | CARBON      | 3.3K 5% 1/4W F       |
| R1105    | 1-249-433-11 | CARBON       | 22K 5% 1/4W                        | R1172    | 1-247-887-00 | CARBON      | 220K 5% 1/4W         |
| R1106    | 1-249-424-11 | CARBON       | 3.9K 5% 1/4W F                     | R1173    | 1-249-421-11 | CARBON      | 2.2K 5% 1/4W F       |
| R1107    | 1-249-441-11 | CARBON       | 100K 5% 1/4W                       | R1174    | 1-249-425-11 | CARBON      | 4.7K 5% 1/4W F       |
| R1108    | 1-249-427-11 | CARBON       | 6.8K 5% 1/4W F                     | R1176    | 1-249-423-11 | CARBON      | 3.3K 5% 1/4W F (A27) |
| R1109    | 1-249-412-11 | CARBON       | 390 5% 1/4W F                      | R1177    | 1-249-436-11 | CARBON      | 39K 5% 1/4W (A27)    |
| R1110    | 1-249-431-11 | CARBON       | 15K 5% 1/4W                        | R1401    | 1-249-418-11 | CARBON      | 1.2K 5% 1/4W F (A27) |
| R1111    | 1-249-439-11 | CARBON       | 68K 5% 1/4W                        | R1402    | 1-247-881-00 | CARBON      | 120K 5% 1/4W (A27)   |
| R1112    | 1-249-433-11 | CARBON       | 22K 5% 1/4W                        | R1403    | 1-247-881-00 | CARBON      | 120K 5% 1/4W (A27)   |
| R1113    | 1-249-431-11 | CARBON       | 15K 5% 1/4W                        | R1405    | 1-249-409-11 | CARBON      | 220 5% 1/4W F (*1)   |

|       |      |                  |     |          |    |                 |
|-------|------|------------------|-----|----------|----|-----------------|
| PANEL | H. P | POWER SUPPLY (B) | MIC | STAND-BY | VR | POWER AMPLIFIER |
|-------|------|------------------|-----|----------|----|-----------------|

| Ref. No.              | Part No.     | Description                             | Remarks |
|-----------------------|--------------|---|---------|
| R1411                 | 1-239-054-11 | COMPOSITION CIRCUIT BLOCK               | (A27)   |
| R1412                 | 1-239-054-11 | COMPOSITION CIRCUIT BLOCK               | (A27)   |
| R1601                 | 1-249-429-11 | CARBON 10K 5% 1/4W                      | (A27)   |
| R1602                 | 1-249-417-11 | CARBON 1K 5% 1/4W F                     | (A27)   |
| R1603                 | 1-249-412-11 | CARBON 390 5% 1/4W F                    | (A27)   |
|                       |              |   |         |
| R1604                 | 1-249-434-11 | CARBON 27K 5% 1/4W                      | (A27)   |
| R1605                 | 1-249-433-11 | CARBON 22K 5% 1/4W                      | (A27)   |
| R1606                 | 1-249-437-11 | CARBON 47K 5% 1/4W                      | (A27)   |
| < VARIABLE RESISTOR > |              |   |         |
| RV1101                | 1-223-251-11 | RES, VAR, CARBON 100K/100K (SURROUND)   |         |
| RV1102                | 1-223-251-11 | RES, VAR, CARBON 100K/100K (DBFB)       |         |
| RV1103                | 1-223-289-11 | RES, VAR, SLIDE 100K (100Hz)            |         |
| RV1104                | 1-223-289-11 | RES, VAR, SLIDE 100K (330Hz)            |         |
| RV1105                | 1-223-289-11 | RES, VAR, SLIDE 100K (1KHz)             |         |
|                       |              |   |         |
| RV1106                | 1-223-289-11 | RES, VAR, SLIDE 100K (3.3KHz)           |         |
| RV1107                | 1-223-289-11 | RES, VAR, SLIDE 100K (10KHz)            |         |
| RV1108                | 1-223-253-11 | RES, VAR, CARBON 100K/100K (BALANCE)    |         |
| RV1109                | 1-223-291-11 | RES, VAR, CARBON 100K/100K (VOLUME)     |         |
| RV1153                | 1-223-289-11 | RES, VAR, SLIDE 100K (100Hz)            |         |
|                       |              |   |         |
| RV1154                | 1-223-289-11 | RES, VAR, SLIDE 100K (330Hz)            |         |
| RV1155                | 1-223-289-11 | RES, VAR, SLIDE 100K (1KHz)             |         |
| RV1156                | 1-223-289-11 | RES, VAR, SLIDE 100K (3.3KHz)           |         |
| RV1157                | 1-223-289-11 | RES, VAR, SLIDE 100K (10KHz)            |         |
| < SWITCH >            |              |   |         |
| S601                  | 1-554-303-21 | SWITCH, TACTILE (1)                     |         |
| S602                  | 1-554-303-21 | SWITCH, TACTILE (2)                     |         |
| S603                  | 1-554-303-21 | SWITCH, TACTILE (3)                     |         |
| S604                  | 1-554-303-21 | SWITCH, TACTILE (4)                     |         |
| S605                  | 1-554-303-21 | SWITCH, TACTILE (5)                     |         |
|                       |              |   |         |
| S606                  | 1-554-303-21 | SWITCH, TACTILE (6)                     |         |
| S607                  | 1-554-303-21 | SWITCH, TACTILE (7)                     |         |
| S608                  | 1-554-303-21 | SWITCH, TACTILE (8)                     |         |
| S609                  | 1-554-303-21 | SWITCH, TACTILE (9)                     |         |
| S610                  | 1-554-303-21 | SWITCH, TACTILE (0)                     |         |
|                       |              |   |         |
| S611                  | 1-554-303-21 | SWITCH, TACTILE (+)                     |         |
| S612                  | 1-554-303-21 | SWITCH, TACTILE (-)                     |         |
| S613                  | 1-554-303-21 | SWITCH, TACTILE (SHIFT)                 |         |
| S614                  | 1-554-303-21 | SWITCH, TACTILE (BAND SELECT)           |         |
| S615                  | 1-554-303-21 | SWITCH, TACTILE (ST/MUTE)               |         |
|                       |              |   |         |
| S616                  | 1-554-303-21 | SWITCH, TACTILE (MEMORY)                |         |
| S618                  | 1-554-303-21 | SWITCH, TACTILE (SYSTEM POWER)          |         |
| S619                  | 1-554-303-21 | SWITCH, TACTILE (VIDEO) (A27, *4, D259) |         |
| S620                  | 1-554-303-21 | SWITCH, TACTILE (TAPE)                  |         |
| S621                  | 1-554-303-21 | SWITCH, TACTILE (CD)                    |         |
|                       |              |   |         |
| S622                  | 1-554-303-21 | SWITCH, TACTILE (TUNER)                 |         |
| S623                  | 1-554-303-21 | SWITCH, TACTILE (PHONO)                 |         |
| S1102                 | 1-571-305-11 | SWITCH, PUSH (EQUILIZER) (1 KEY)        |         |

| Ref. No.      | Part No.     | Description                             | Remarks      |
|---------------|--------------|---|--------------|
| < VIBRATOR >  |              |   |              |
| X601          | 1-567-775-11 | VIBRATOR, CERAMIC                       |              |
|               |              |   |              |
| *****         |              |   |              |
| *             | A-4356-649-A | POWER AMPLIFIER BOARD, COMPLETE (#1)    |              |
| *****         |              |   |              |
| *             | A-4356-749-A | POWER AMPLIFIER BOARD, COMPLETE (#2)    |              |
| *****         |              |   |              |
| *             | A-4356-628-A | POWER AMPLIFIER BOARD, COMPLETE (#3)    |              |
| *****         |              |   |              |
| *             | A-4356-935-A | POWER AMPLIFIER BOARD, COMPLETE (#4, 6) |              |
| *****         |              |   |              |
| *             | A-4356-616-A | POWER AMPLIFIER BOARD, COMPLETE (#5, 7) |              |
| *****         |              |   |              |
| *             | A-4360-546-A | POWER AMPLIFIER BOARD, COMPLETE (#8)    |              |
| *****         |              |   |              |
| *             | A-4360-537-A | POWER AMPLIFIER BOARD, COMPLETE (#9)    |              |
| *****         |              |   |              |
| *             | A-4360-527-A | POWER AMPLIFIER BOARD, COMPLETE (#10)   |              |
| *****         |              |   |              |
| *             | A-4360-516-A | POWER AMPLIFIER BOARD, COMPLETE (#11)   |              |
| *****         |              |   |              |
| < CAPACITOR > |              |   |              |
| C1201         | 1-124-257-00 | ELECT 2.2uF 20% 50V                     |              |
| C1202         | 1-162-286-31 | CERAMIC 220PF 10% 50V                   | (EXCEPT ★:A) |
| C1202         | 1-162-290-31 | CERAMIC 470PF 10% 50V                   | (★:A)        |
| C1203         | 1-162-286-31 | CERAMIC 220PF 10% 50V                   | (EXCEPT ★:A) |
| C1203         | 1-162-292-31 | CERAMIC 680PF 10% 50V                   | (★:A)        |
| C1204         | 1-124-477-11 | ELECT 47uF 20% 25V                      |              |
| C1205         | 1-124-910-11 | ELECT 47uF 20% 50V                      |              |
| C1206         | 1-124-122-11 | ELECT 100uF 20% 50V                     |              |
| C1207         | 1-136-165-00 | FILM 0.1uF 5% 50V                       |              |
|               |              |   |              |
| C1208         | 1-124-916-11 | ELECT 22uF 20% 63V                      |              |
| C1209         | 1-164-159-11 | CERAMIC 0.1uF 50V                       |              |
| C1210         | 1-136-163-00 | FILM 0.068uF 5% 50V                     |              |
| C1211         | 1-136-163-00 | FILM 0.068uF 5% 50V                     |              |
| C1220         | 1-124-910-11 | ELECT 47uF 20% 50V                      |              |
|               |              |   |              |
| C1230         | 1-161-494-00 | CERAMIC 0.022uF 25V                     | (★:A)        |
| C1231         | 1-161-494-00 | CERAMIC 0.022uF 25V                     | (★:A)        |
| C1232         | 1-161-494-00 | CERAMIC 0.022uF 25V                     | (★:A)        |
| C1233         | 1-161-494-00 | CERAMIC 0.022uF 25V                     | (★:A)        |
| C1251         | 1-124-257-00 | ELECT 2.2uF 20% 50V                     |              |
|               |              |   |              |
| C1252         | 1-162-286-31 | CERAMIC 220PF 10% 50V                   | (EXCEPT ★:A) |
| C1252         | 1-162-290-31 | CERAMIC 470PF 10% 50V                   | (★:A)        |

**POWER AMPLIFIER**

**POWER SUPPLY**

| Ref. No.       | Part No.     | Description                       | Remarks      |
|----------------|--------------|-----------------------------------|--------------|
| C1253          | 1-162-286-31 | CERAMIC 220PF 10% 50V             | (EXCEPT ★:A) |
| C1253          | 1-162-292-31 | CERAMIC 680PF 10% 50V             | (★:A)        |
| C1254          | 1-124-477-11 | ELECT 47uF 20% 25V                |              |
| C1255          | 1-124-910-11 | ELECT 47uF 20% 50V                |              |
| C1256          | 1-124-122-11 | ELECT 100uF 20% 50V               |              |
| C1257          | 1-136-165-00 | FILM 0.1uF 5% 50V                 |              |
| C1260          | 1-136-163-00 | FILM 0.068uF 5% 50V               |              |
| C1261          | 1-136-163-00 | FILM 0.068uF 5% 50V               |              |
| C1280          | 1-161-494-00 | CERAMIC 0.022uF 25V               | (★:A)        |
| < CONNECTOR >  |              |                                   |              |
| * CN1201       | 1-564-518-11 | PLUG, CONNECTOR 3P                |              |
| * CN1202       | 1-564-522-11 | PLUG, CONNECTOR 7P                |              |
| < DIODE >      |              |                                   |              |
| D1201          | 8-719-987-63 | DIODE 1N4148M                     |              |
| D1251          | 8-719-987-63 | DIODE 1N4148M                     |              |
| < IC >         |              |                                   |              |
| IC1201         | 8-749-900-24 | IC STK-4162MK2 (A27, *11)         |              |
| IC1201         | 8-749-900-96 | IC STK-4142MK2 (D209, *8, 9, 10)  |              |
| < COIL >       |              |                                   |              |
| L1221          | 1-420-872-00 | COIL, AIR CORE                    |              |
| L1251          | 1-420-872-00 | COIL, AIR CORE                    |              |
| < TRANSISTOR > |              |                                   |              |
| Q1201          | 8-729-140-84 | TRANSISTOR 2SC1841-PAFAEA         |              |
| Q1202          | 8-729-900-80 | TRANSISTOR DTC114ES               |              |
| Q1203          | 8-729-620-05 | TRANSISTOR 2SC2603-EF (*2, D259)  |              |
| Q1203          | 8-729-119-78 | TRANSISTOR 2SC2785-HFE (*1, D209) |              |
| Q1251          | 8-729-140-84 | TRANSISTOR 2SC1841-PAFAEA         |              |
| < RESISTOR >   |              |                                   |              |
| R1201          | 1-249-417-11 | CARBON 1K 5% 1/4W F               |              |
| R1202          | 1-249-438-11 | CARBON 56K 5% 1/4W                |              |
| R1203          | 1-249-417-11 | CARBON 1K 5% 1/4W F               |              |
| R1204          | 1-249-438-11 | CARBON 56K 5% 1/4W                |              |
| R1205          | 1-249-425-11 | CARBON 4.7K 5% 1/4W F             |              |
| R1206          | 1-249-425-11 | CARBON 4.7K 5% 1/4W F             |              |
| R1207          | 1-249-425-11 | CARBON 4.7K 5% 1/4W F             |              |
| R1208          | 1-249-425-11 | CARBON 4.7K 5% 1/4W F             |              |
| △R1209         | 1-212-881-11 | FUSIBLE 100 5% 1/4W F             |              |
| △R1210         | 1-217-151-00 | RES, METAL PLATE 0.22             |              |
| R1211          | 1-249-417-11 | CARBON 1K 5% 1/4W F               |              |
| R1212          | 1-249-431-11 | CARBON 15K 5% 1/4W                |              |
| R1213          | 1-249-441-11 | CARBON 100K 5% 1/4W               |              |
| R1214          | 1-249-421-11 | CARBON 2.2K 5% 1/4W F             |              |
| R1215          | 1-249-421-11 | CARBON 2.2K 5% 1/4W F             |              |

| Ref. No. | Part No.     | Description                     | Remarks |
|----------|--------------|---------------------------------|---------|
| R1216    | 1-249-421-11 | CARBON 2.2K 5% 1/4W F           |         |
| R1217    | 1-249-421-11 | CARBON 2.2K 5% 1/4W F           |         |
| R1218    | 1-249-397-11 | CARBON 22 5% 1/4W F             |         |
| R1219    | 1-249-397-11 | CARBON 22 5% 1/4W F             |         |
| R1220    | 1-249-397-11 | CARBON 22 5% 1/4W F             |         |
| R1221    | 1-249-397-11 | CARBON 22 5% 1/4W F             |         |
| R1227    | 1-249-429-11 | CARBON 10K 5% 1/4W              |         |
| R1228    | 1-247-881-00 | CARBON 120K 5% 1/4W             |         |
| R1229    | 1-249-439-11 | CARBON 68K 5% 1/4W              |         |
| R1230    | 1-249-439-11 | CARBON 68K 5% 1/4W              |         |
| R1231    | 1-249-417-11 | CARBON 1K 5% 1/4W F             |         |
| R1232    | 1-249-428-11 | CARBON 8.2K 5% 1/4W F           |         |
| R1238    | 1-249-433-11 | CARBON 22K 5% 1/4W              |         |
| R1239    | 1-249-426-11 | CARBON 5.6K 5% 1/4W             |         |
| R1241    | 1-249-383-81 | CARBON 1.5 5% 1/4W F (*3, 5, 7) |         |
| R1251    | 1-249-417-11 | CARBON 1K 5% 1/4W F             |         |
| R1252    | 1-249-438-11 | CARBON 56K 5% 1/4W              |         |
| R1253    | 1-249-417-11 | CARBON 1K 5% 1/4W F             |         |
| R1254    | 1-249-438-11 | CARBON 56K 5% 1/4W              |         |
| R1255    | 1-249-425-11 | CARBON 4.7K 5% 1/4W F           |         |
| R1256    | 1-249-425-11 | CARBON 4.7K 5% 1/4W F           |         |
| R1257    | 1-249-425-11 | CARBON 4.7K 5% 1/4W F           |         |
| R1258    | 1-249-425-11 | CARBON 4.7K 5% 1/4W F           |         |
| △R1259   | 1-212-881-11 | FUSIBLE 100 5% 1/4W F           |         |
| △R1260   | 1-217-151-00 | RES, METAL PLATE 0.22           |         |
| R1261    | 1-249-417-11 | CARBON 1K 5% 1/4W F             |         |
| R1262    | 1-249-431-11 | CARBON 15K 5% 1/4W              |         |
| R1263    | 1-249-441-11 | CARBON 100K 5% 1/4W             |         |
| R1268    | 1-249-397-11 | CARBON 22 5% 1/4W F             |         |
| R1269    | 1-249-397-11 | CARBON 22 5% 1/4W F             |         |
| R1270    | 1-249-397-11 | CARBON 22 5% 1/4W F             |         |
| R1271    | 1-249-397-11 | CARBON 22 5% 1/4W F             |         |

\*\*\*\*\*

\* 1-646-474-11 POWER SUPPLY BOARD  
\*\*\*\*\*

< CAPACITOR >

|       |              |                      |
|-------|--------------|----------------------|
| C1301 | 1-161-744-00 | CERAMIC 0.01uF 400V  |
| C1314 | 1-124-122-11 | ELECT 100uF 20% 50V  |
| C1315 | 1-124-927-11 | ELECT 4.7uF 20% 100V |
| C1316 | 1-124-910-11 | ELECT 47uF 20% 50V   |
| C1318 | 1-124-636-00 | ELECT 3300uF 20% 25V |
| C1348 | 1-164-159-11 | CERAMIC 0.1uF 50V    |
|       |              | (*4, 5, 6, 7, D259)  |
| C1362 | 1-124-916-11 | ELECT 22uF 20% 63V   |

**Note:**  
The components identified by mark △ or dotted line with mark △ are critical for safety. Replace only with part number specified.

**Note:**  
Les composants identifiés par une marque △ sont critiques pour la sécurité. Ne les remplacer que par une pièce portant le numéro spécifié.



**POWER SUPPLY**

| Ref. No. | Part No.     | Description                       | Remarks |
|----------|--------------|-----------------------------------|---------|
|          |              | < CONNECTOR >                     |         |
| * CN1301 | 1-564-321-00 | PIN, CONNECTOR 2P                 |         |
| CN1311   | 1-506-468-11 | PIN, CONNECTOR 3P                 |         |
|          |              | < DIODE >                         |         |
| D1307    | 8-719-002-60 | DIODE UZL-33L                     |         |
| D1309    | 8-719-014-66 | DIODE UZP-5.6B                    |         |
| D1311    | 8-719-200-82 | DIODE 11ES2                       |         |
| D1370    | 8-719-200-82 | DIODE 11ES2                       |         |
| D1321    | 8-719-987-63 | DIODE 1N4148M                     |         |
| D1322    | 8-719-987-63 | DIODE 1N4148M                     |         |
| D1354    | 8-719-200-82 | DIODE 11ES2                       |         |
| D1355    | 8-719-200-82 | DIODE 11ES2                       |         |
|          |              | < TRANSISTOR >                    |         |
| Q1301    | 8-729-141-83 | TRANSISTOR 2SA473                 |         |
|          |              | < RESISTOR >                      |         |
| R1303    | 1-249-421-11 | CARBON 2.2K 5% 1/4W F             |         |
| R1304    | 1-249-425-11 | CARBON 4.7K 5% 1/4W F             |         |
| R1391    | 1-202-725-00 | SOLID 3.3M 10% 1/2W (*11)         |         |
|          |              | < RELAY >                         |         |
| RY1301   | 1-515-720-11 | RELAY                             |         |
| RY1301   | 1-515-738-11 | RELAY, POWER                      |         |
|          |              | < TRANSFORMER >                   |         |
| △T1302   | 1-449-723-31 | TRANSFORMER, POWER (EXCEPT *11)   |         |
| △T1302   | 1-450-786-11 | TRANSFORMER, POWER (*11)          |         |
|          |              | < VOLTAGE SELECTION >             |         |
| △VS1301  | 1-572-266-11 | SWITCH, VOLTAGE SELECTION (A27)   |         |
| *****    |              |                                   |         |
|          |              | MISCELLANEOUS                     |         |
|          |              | *****                             |         |
| 18       | 1-590-578-11 | WIRE, FLAT TYPE (19 CORE)         |         |
| 19       | 1-590-576-11 | WIRE, FLAT TYPE (11 CORE)         |         |
| 19       | 1-590-576-21 | WIRE, FLAT TYPE (11 CORE) (D209)  |         |
| △64      | 1-575-651-11 | CORD, POWER (*4, , 5, 6, 7, 8, 9) |         |
| △64      | 1-575-653-11 | CORD, POWER (A27:E)               |         |
| △64      | 1-690-608-11 | CORD, POWER (A27:AU2)             |         |
| △64      | 1-690-609-21 | CORD, POWER (*11)                 |         |
| △64      | 1-696-570-21 | CORD, POWER (*3, 10)              |         |
| △64      | 1-696-848-21 | CORD, POWER (*1)                  |         |
| △F1301   | 1-532-350-00 | FUSE 4A (A27, D209, *9, 10)       |         |
| △F1301   | 1-576-108-11 | FUSE 4A (*8, 11)                  |         |
| △F1302   | 1-532-350-00 | FUSE 4A (A27, D209, *9, 10)       |         |
| △F1302   | 1-576-108-11 | FUSE 4A (*8, 11)                  |         |

| Ref. No. | Part No.     | Description                     | Remarks  |
|----------|--------------|---------------------------------|--|
| △F1303   | 1-532-203-00 | FUSE 2A (D209, *9, 10)          |  |
| △F1303   | 1-532-286-00 | FUSE 2.5A (A27, D209, *9, 10)   |  |
| △F1303   | 1-576-104-11 | FUSE 2A (*8)                    |  |
| △F1304   | 1-532-203-00 | FUSE 2A (D209, *9, 10)          |  |
| △F1304   | 1-532-286-00 | FUSE 2.5A (A27, D209, *9, 10)   |  |
| △F1304   | 1-576-104-11 | FUSE 2A (*8)                    |  |
| △F1305   | 1-532-286-00 | FUSE 2.5A (A27, D209, *9, 10)   |  |
| △F1305   | 1-576-105-11 | FUSE 2.5A (*8, 11)              |  |
| △F1306   | 1-532-286-00 | FUSE 2.5A (A27, D209, *9, 10)   |  |
| △F1306   | 1-576-105-11 | FUSE 2.5A (*8, 11)              |  |
| △T1301   | 1-423-431-11 | TRANSFORMER, POWER (*11)        |  |
| △T1301   | 1-423-437-11 | TRANSFORMER, POWER (D209)       |  |
| △T1301   | 1-423-437-21 | TRANSFORMER, POWER (*8, 9, 10)  |  |
| △T1301   | 1-423-438-11 | TRANSFORMER, POWER (*1)         |  |
| △T1301   | 1-423-438-21 | TRANSFORMER, POWER (*2)         |  |
| *****    |              |                                 |  |
|          |              | ACCESSORIES & PACKING MATERIALS |  |
|          |              | *****                           |  |
|          |              | 1-465-963-11                    | COMMANDER, STANDARD (RM-S271)  |
|          |              | 1-501-374-11                    | ANTENNA, LOOP (*4, 5, 7, 8, D259:AE2)                                  |
|          |              | 1-501-536-11                    | ANTENNA (*4, 5, 7, 8, D259:AE2)  |
| *        |              | 1-696-860-11                    | CORD, CONNECTION 13P (*4, 5, 7, 8, D259:AE2)                           |
| *        |              | 3-703-713-41                    | STICKER, SONY SYMBOL (10)  |
|          |              | 3-707-584-01                    | COVER, BATTERY   |
|          |              | 3-756-331-41                    | MANUAL, INSTRUCTION (ENGLISH/FRENCH/<br>SPANISH/PORTUGUESE) (D209:AE2) |
|          |              | 3-756-331-51                    | MANUAL, INSTRUCTION (GERMANY/DUTCH/<br>SWEDISH/ITALIAN) (D209:AE2, *4) |
|          |              | 3-756-331-61                    | MANUAL, INSTRUCTION (DANISH/FINNISH) (*5)                              |
|          |              | 3-756-333-41                    | MANUAL, INSTRUCTION (ENGLISH/FRENCH/<br>SPANISH/PORTUGUESE) (D259:AE2) |
|          |              | 3-756-333-51                    | MANUAL, INSTRUCTION (GERMANY/DUTCH/<br>SWEDISH/ITALIAN) (D259:AE2, *8) |
| *        |              | 4-956-903-01                    | INDIVIDUAL CARTON (D209:AE2, *4)                                       |
| *        |              | 4-958-606-01                    | CUSHION (D209:AE2, *4)   |

\*\*\*\*\*

**HARDWARE LIST**

- #1 7-685-646-79 SCREW +BVTP 3X8 TYPE2 N-S
- #2 7-685-871-01 SCREW +BVTT 3X6 (S)

|  |  |
|--|--|
| <p><b>Note:</b><br/>The components identified by mark △ or dotted line with mark △ are critical for safety. Replace only with part number specified.</p> | <p><b>Note:</b><br/>Les composants identifiés par une marque △ sont critiques pour la sécurité. Ne les remplacer que par une pièce portant le numéro spécifié.</p> |
|--|--|